



Gas Hoses
HG-4F-60K

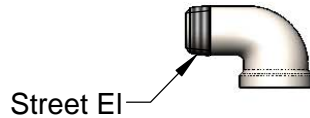
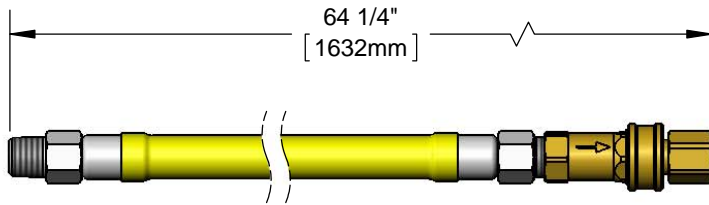
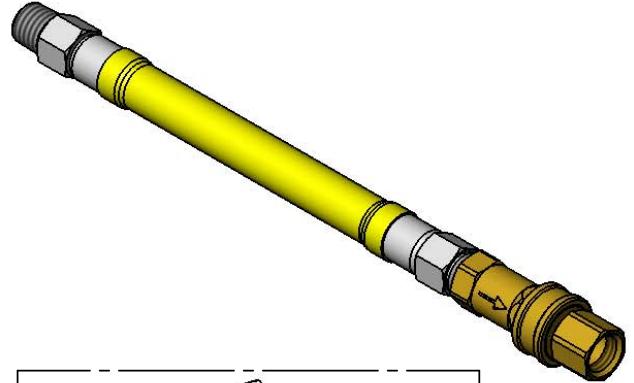
TAG:

SAFETY-LINK Gas Hose

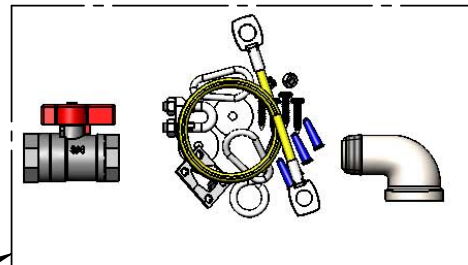
Architect/Engineering Specifications:

60" coated gas appliance connector hose with 1 1/4" NPT male connections and quick-disconnect. Certified to ANSI Z21.69/CSA 6.16 and NSF 2.

Job Name _____
 Model Specified _____ Quantity _____
 Variations Specified _____
 Date _____



Installation Kit:



Features & Benefits:

- 60" coated gas appliance connector
- 1 1/4" NPT male freespin inlet
- 1 1/4" NPT male freespin outlet
- 1 1/4" NPT female quick-disconnect
- Street elbow included
- 360° rotatable hex nut rotates completely and freely
- Optimum torsional relief improves safety, increases connector life
- Provides efficient, full gas flow
- Quick-disconnect socket acts as shut-off valve when the plug and socket are disconnected
- Material: Extruded coated stainless steel braids

Product Compliance:

- ANSI Z21.69 / CSA 6.16
- NSF 2
- NFPA 54



Warranty: Five Year (Limited)

Performance Data:

- Pressure: 1/2 psi max
- Temperature: 350° F max w/ Fusible Link Thermal Shut-off
- Capacity: 475,000 BTU / hr min



T&S BRASS AND BRONZE WORKS, INC.



• 2 Saddleback Cove • Travelers Rest, SC 29690
 Ph 800-476-4103 • Fax 864-834-3518
 • Simi Valley, CA • Ph 800-423-0150 • www.tsbrass.com

Date: 08/24/16