



# Gas Appliance Connectors

## AG-6D

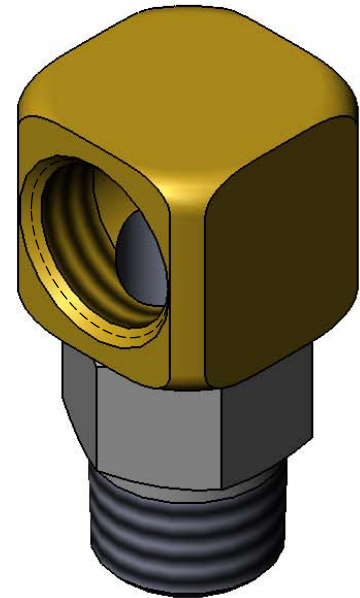
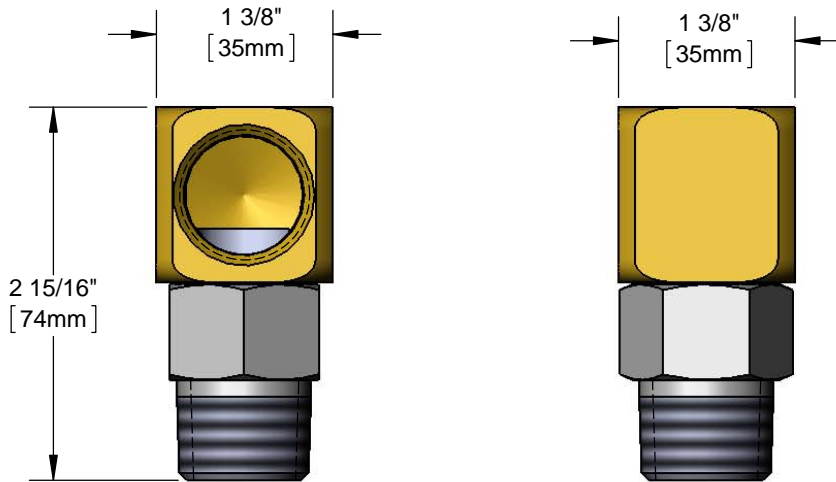
TAG:

3/4" SwiveLink

**Architect/Engineering Specifications:**

3/4" NPT SwiveLink.

Job Name \_\_\_\_\_  
 Model Specified \_\_\_\_\_ Quantity \_\_\_\_\_  
 Variations Specified \_\_\_\_\_  
 Date \_\_\_\_\_



**Features & Benefits:**

- Provides a consistent, stress-free, torque-free swivel motion
- Eliminated kinking, allowing entire connector length to be used
- 3/4" NPT outlet and inlet
- Allows for full gas flow
- Material: Brass swivel & stainless steel nut

**Product Compliance:**

- NFPA 54

**Warranty:** Five Year (Limited)

**Performance Data:**

- Pressure: 0.5 psi max
- Temperature: 350 °F max w/ Fusible Link Thermal Shut-off
- (2) SwiveLinks on Various Size and Length Connectors (Tested at 1000 BTU/HR, SG=0.64, Pressure Drop=0.5" Water Column)

MODEL	SIZE	CONNECTOR LENGTH				
		24"	36"	48"	60"	72"
3/4"	AG-6D	291,000	250,000	215,000	200,000	174,000

- (2) SwiveLinks on Various Size and Length Connectors w/ Quick Disconnect (Tested at 1000 BTU/HR, SG=0.64, Pressure Drop=0.3" Water Column)

MODEL	SIZE	CONNECTOR LENGTH				
		24"	36"	48"	60"	72"
3/4"	AG-6D	235,000	220,000	180,000	160,000	140,000



**T&S BRASS AND BRONZE WORKS, INC.**



• 2 Saddleback Cove • Travelers Rest, SC 29690  
 Ph 800-476-4103 • Fax 864-834-3518  
 • Simi Valley, CA • Ph 800-423-0150 • www.tsbrass.com

Date: 07/24/15