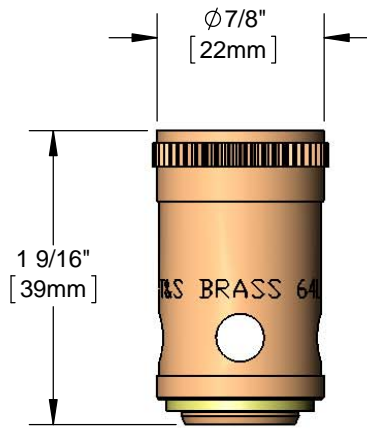




**Architect/Engineering Specifications:**

Removable RTC Eterna insert with washer, fits all standard T&S Faucets. Certified to NSF 61-Section 9 and NSF 372.

Job Name \_\_\_\_\_  
 Model Specified \_\_\_\_\_ Quantity \_\_\_\_\_  
 Variations Specified \_\_\_\_\_  
 Date \_\_\_\_\_



**Features & Benefits:**

- Removable RTC Eterna insert
- Washer included
- Fits all standard T&S faucets

**Product Compliance:**

- NSF 61 - Section 9
- NSF 372 (Low Lead Content)



**Warranty:** One Year (Limited)



**Performance Data:**

- N/A

