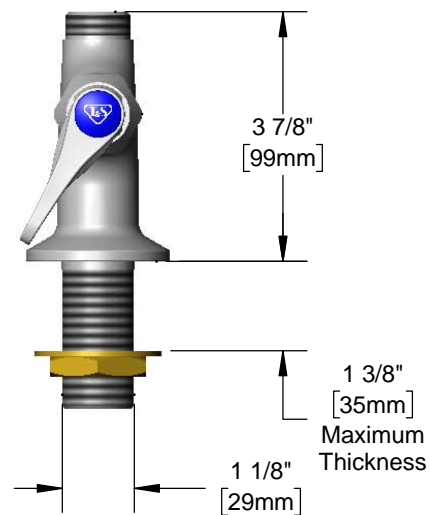
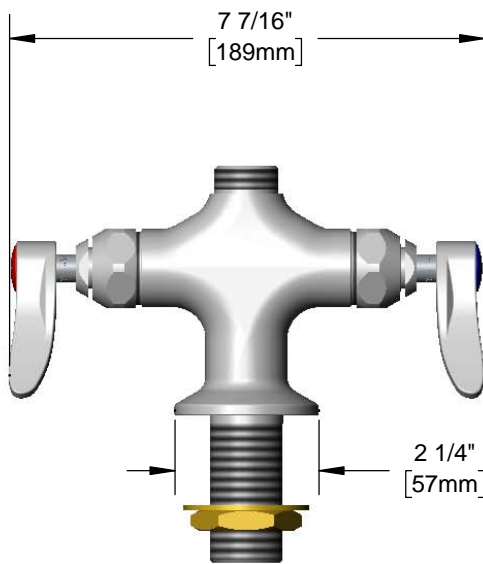
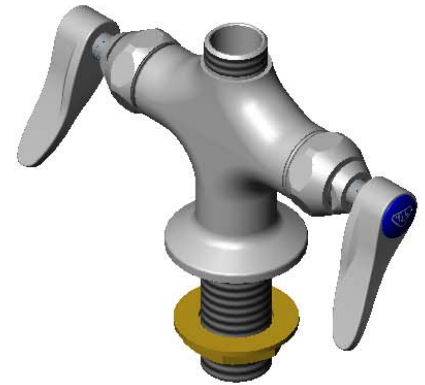




Architect/Engineering Specifications:

Single hole deck mount mixing faucet, compression cartridges with spring checks, lever handles and Ø 1 1/8" inlet shank. Certified to ASME A112.18.1 / CSA B125.1 NSF 61- Section 9 and NSF 372. Meets ADA ANSI/ICC A117.1 requirements.

Job Name	_____
Model Specified	_____ Quantity _____
Variations Specified	_____
Date	_____



Features & Benefits:

- Single hole deck mount mixing faucet w/ polished chrome plated brass body
- Quarter-turn Eterna cartridges with spring checks to prevent the cross flow of water
- Lever handles
- Ø 1 1/8" Inlet Shank
- Material: Chrome plated brass body and chrome plated metal handles

Product Compliance:

- ASME A112.18.1 / CSA B125.1
- NSF 61 - Section 9
- NSF 372 (Low Lead Content)
- ANSI A117.1 (ADA)

Warranty: One Year (Limited)

Performance Data:

- Pressure: 20 - 125 psi
- Temperature: 40 °F - 140 °F
- Flow Rate: 8.82 GPM @ 60 psi



ADA Compliant

