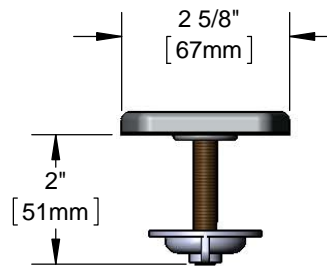
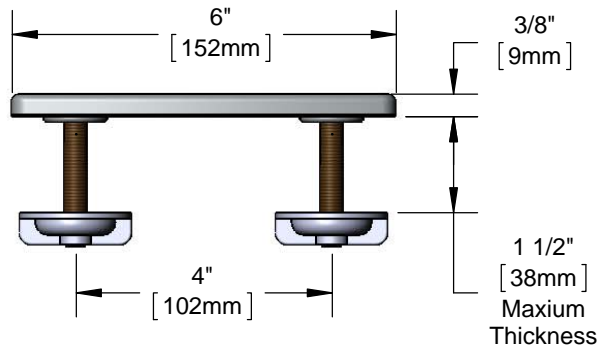
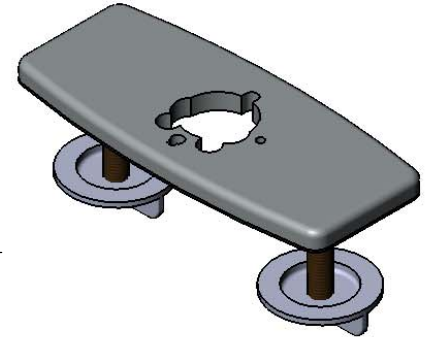




Architect/Engineering Specifications:

Chrome plated brass 4" forged deck plate with vandal resistant pin holes

Job Name \_\_\_\_\_  
 Model Specified \_\_\_\_\_ Quantity \_\_\_\_\_  
 Variations Specified \_\_\_\_\_  
 Date \_\_\_\_\_



Features & Benefits:

- 4" forged deck plate
- Vandal resistant pin holes
- Material: Chrome plated brass

Product Compliance:

- N/A

Warranty: One Year (Limited)

Performance Data:

- N/A

