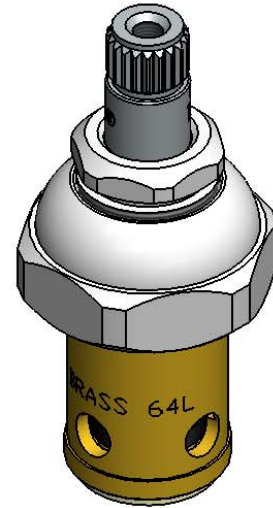
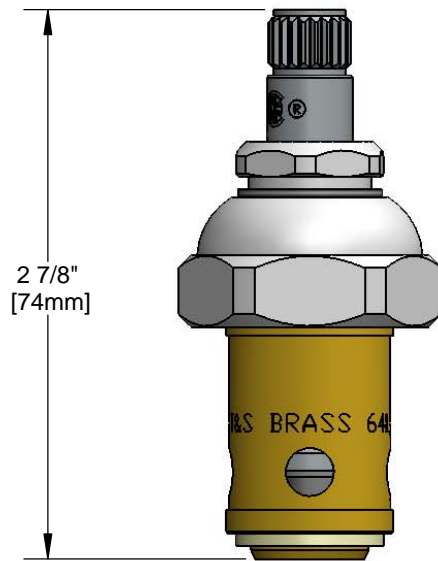




Architect/Engineering Specifications:

Eterna Cartridge, RTC with spring check. Fits all T&S faucets. Certified to NSF 61-Section 9 and NSF 372.

Job Name _____
 Model Specified _____ Quantity _____
 Variations Specified _____
 Date _____



Features & Benefits:

- Eterna Cartridge, RTC w/ spring check
- Fits all T&S faucets
- Material: Chrome plated brass

Product Compliance:

- ASME A112.18.1 / CSA B125.1
- NSF 61 - Section 9
- NSF 372 (Low Lead Content)
-



Warranty: One Year (Limited)

Performance Data:

- Pressure: 20 - 125 psi
- Temperature: 40 °F - 140 °F
- Flow Rate: 11.25 GPM @ 60 psi

