



Architect/Engineering Specifications:

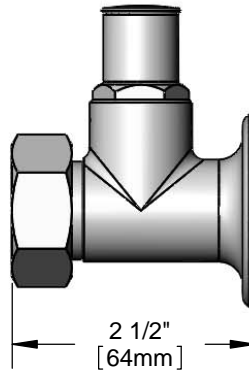
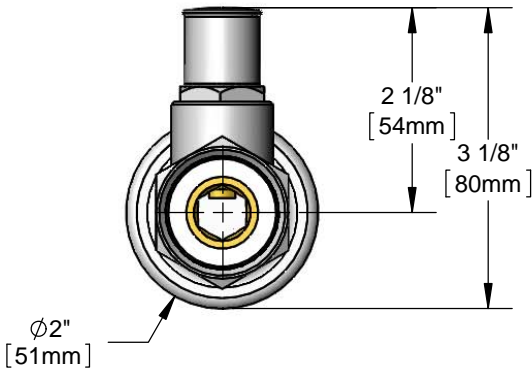
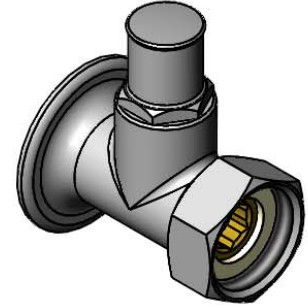
Polished chrome plated brass flange w/ integral stop assembly, 1/2" NPT female inlet and loose key stop. Certified to ASME A112.18.1/CSA B125.1, NSF 61-Section 9 and NSF 372.

Job Name \_\_\_\_\_

Model Specified \_\_\_\_\_ Quantity \_\_\_\_\_

Variations Specified \_\_\_\_\_

Date \_\_\_\_\_



Features & Benefits:

- Polished chrome plated brass flange w/ integral stop assembly
- 1/2" NPT female inlet
- Loose key stop includes tee handle & mounting screw
- Material: Polished chrome plated brass

Product Compliance:

- ASME A112.18.1 / CSA B125.1
- NSF 61 - Section 9
- NSF 372 (Low Lead Content)



Warranty: One Year (Limited)

Performance Data:

- N/A

