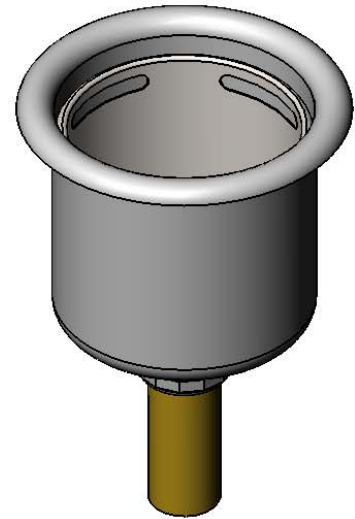
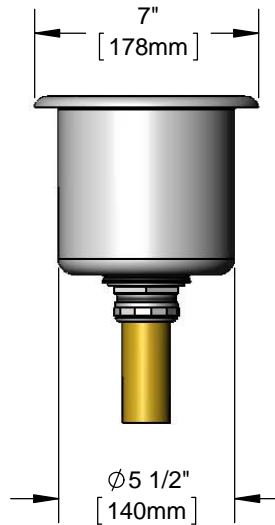
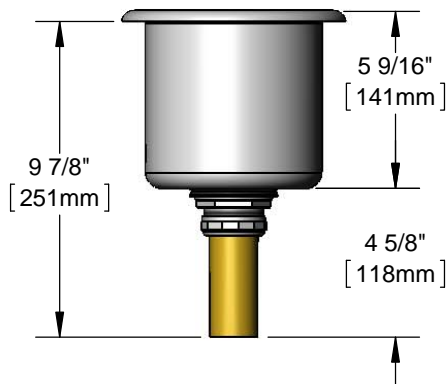




#### Architect/Engineering Specifications:

Deck mount dipperwell bowl with stainless steel bowl, cup and brass tailpiece.

Job Name \_\_\_\_\_  
 Model Specified \_\_\_\_\_ Quantity \_\_\_\_\_  
 Variations Specified \_\_\_\_\_  
 Date \_\_\_\_\_



#### Features & Benefits:

- Stainless steel container, cup and tailpiece
- Sits flush with table top
- $\phi 1 \frac{1}{2}$  x 4" tailpiece
- Keeps ice cream scoops and paddles clean and sanitized
- Material: Stainless steel body, cup and brass tailpiece

#### Product Compliance:

- N/A

**Warranty:** One Year (Limited)

#### Performance Data:

- Discharge Rate: 7.35 GPM max

