



Architect/Engineering Specifications:

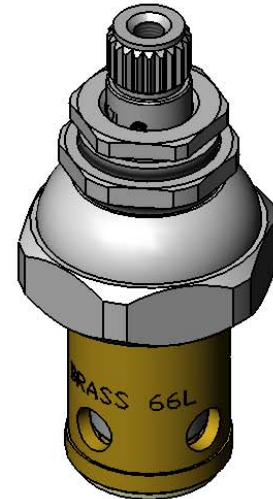
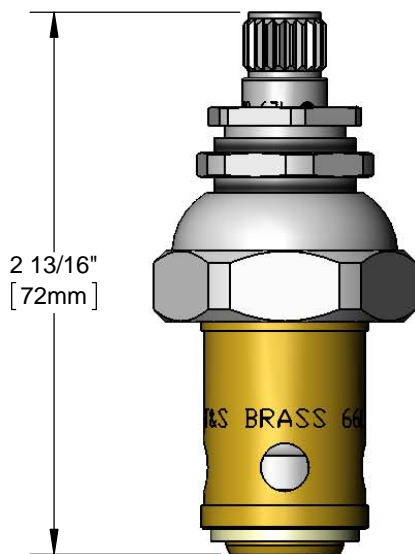
Quarter-turn Eterna cartridge, LTC (Teflon) w/ escutcheon bonnet . Certified to NSF 61-Section 9 and NSF 372.

Job Name _____

Model Specified _____ Quantity _____

Variations Specified _____

Date _____



Features & Benefits:

- Quarter-turn Eterna Cartridge, LTC (Teflon)
- Escutcheon bonnet

Product Compliance:

- ASME A112.18.1 / CSA B125.1
- NSF 61 - Section 9
- NSF 372 (Low Lead Content)



Warranty: One Year (Limited)



Performance Data:

- N/A

