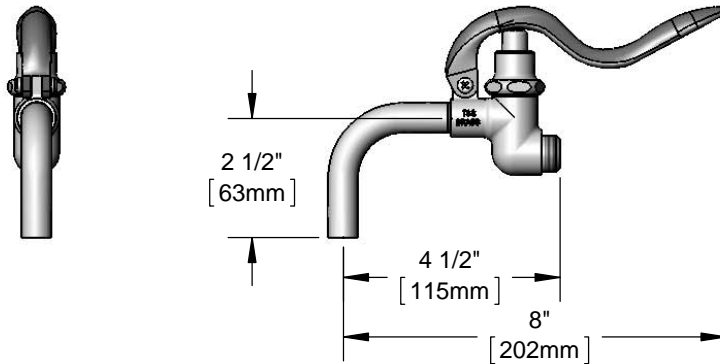
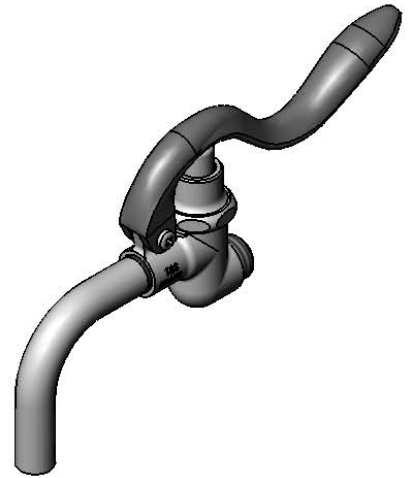




Architect/Engineering Specifications:

Self-closing spray valve with plain end hook nozzle, polished chrome plated brass body and 3/4-14 UN male inlet. Compliant to ASME A112.18.1/CSA B125.1, NSF 61-Section 9 and NSF 372.

Job Name _____
Model Specified _____ Quantity _____
Variations Specified _____
Date _____



Features & Benefits:

- Designed for heavy-duty use in industrial kitchens
- Self-closing spray valve with plain end hook nozzle
- Hold down ring
- 3/4-14 UN male inlet
- Material: Polished Chrome plated brass valve body and tubular spout

Product Compliance:

- ASME A112.18.1 / CSA B125.1
- NSF 61 - Section 9
- NSF 372 (Low Lead Content)
- EPA Act 200 Non-Compliant (PRSV)
- Product Not Designed/Intended For Commercial Warewashing In North America



Warranty: One Year (Limited)

Performance Data:

- Pressure: 20 - 125 psi
- Temperature: 40°F - 140°F
- Flow Rate: 4.67 GPM @ 60 psi

