



Self-Closing Hook Nozzle & Spray Valve

Architect/Engineering Specifications:

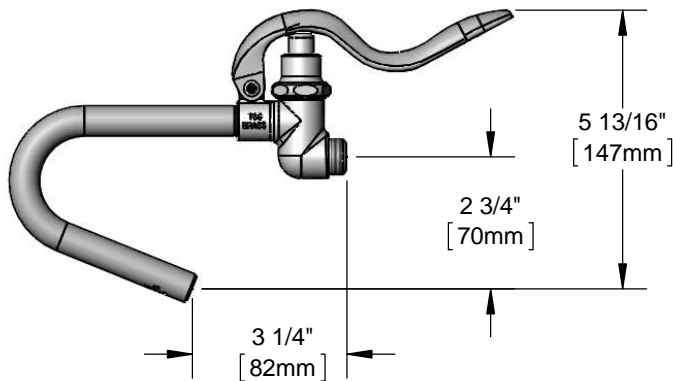
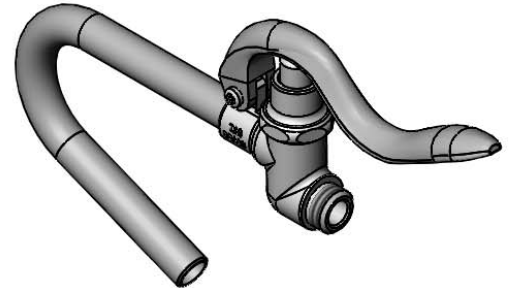
Self-closing hook nozzle & spray valve. Certified to ASME A112.18.1/CSA B125.1, NSF 61-Section 9 and NSF 372.

Job Name _____

Model Specified _____ Quantity _____

Variations Specified _____

Date _____



Features & Benefits:

- Self-closing hook nozzle & spray valve
- Material: Chrome plated brass

Product Compliance:

- ASME A112.18.1 / CSA B125.1
- NSF 61 - Section 9
- NSF 372 (Low Lead Content)
- EPA Act 2005 Non-Compliant (PRSV)
- Product Not Designed/Intended for Commercial Warewashing in North America



Warranty: One Year (Limited)

Performance Data:

- Pressure: 20 - 125 psi
- Temperature: 40 °F - 140 °F
- Flow Rate: 5.27 GPM @ 60 psi

