



Architect/Engineering Specifications:

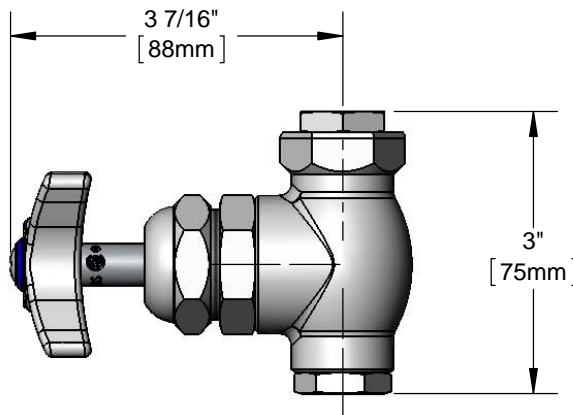
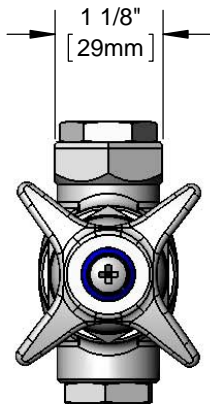
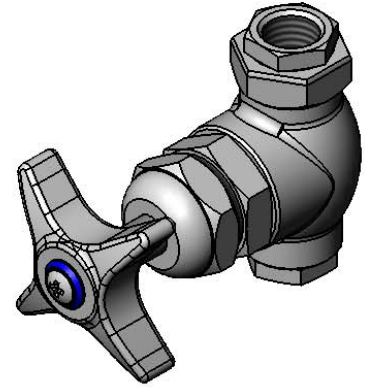
1/2" NPT inlet / outlet female valve with loose bushings, optional 3/8" NPT female connections, 4-Arm handle and large flow cartridge. Certified to ASME A112.18.1/CSA B125.1, NSF 61-Section 9 and NSF 372. Meets ADA ANSI/ICC A117.1 requirements.

Job Name _____

Model Specified _____ Quantity _____

Variations Specified _____

Date _____



Features & Benefits:

- 1/2" NPT inlet / outlet female valve
- Loose bushings
- Optional 3/8" NPT female connections
- 4-Arm handle
- Big-Flo cartridge
- Material: Chrome plated brass

Product Compliance:

- ASME A112.18.1 / CSA B125.1
- NSF 61 - Section 9
- NSF 372 (Low Lead Content)
- ANSI A117.1 (ADA)

Warranty: One Year (Limited)

Performance Data:

- Pressure: 20 - 125 psi
- Temperature: 40°F - 140°F
- Flow Rate: 8.96 GPM @ 60 psi



ADA Compliant

