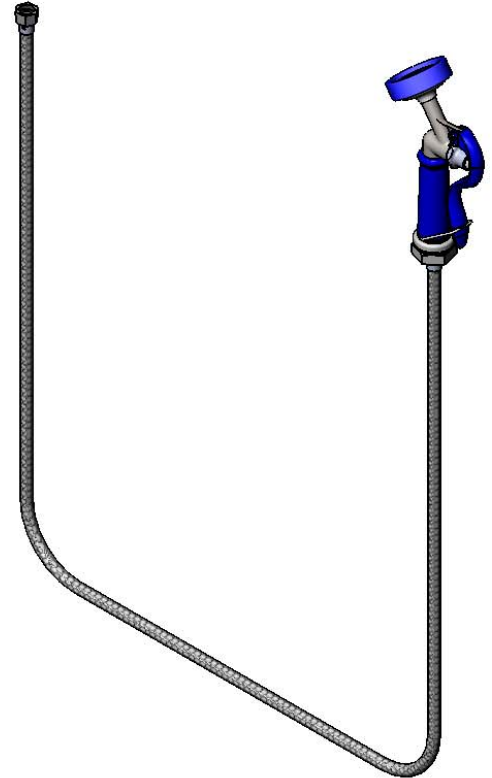
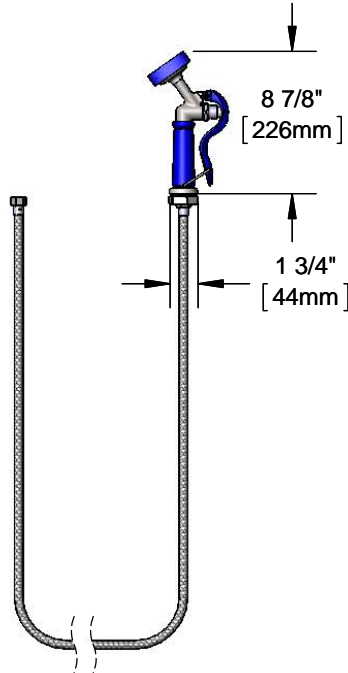
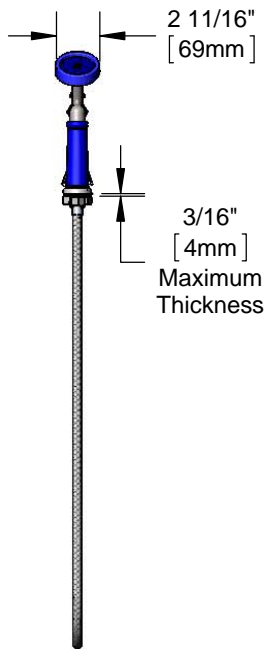




**Architect/Engineering Specifications:**

Aluminum 35° angle spray valve with 7' vinyl hose, protective deck flange, adapters, heat resistant handle and hold down clip.

Job Name _____
Model Specified _____ Quantity _____
Variations Specified _____
Date _____



**Features & Benefits:**

- 35° angle spray valve
- 7' vinyl hose
- Protective deck flange
- 1/8" NPT x 3/4-14 UN male thread adapter included
- 1/4" NPT x 3/4-14 UN male thread adapter included
- Heat resistant rubber grip handle
- Hold down clip
- Material: Aluminum body and vinyl hose

**Product Compliance:**

- NSF 61 Exempt (Non-Potable)

**Warranty:** One Year (Limited)

**Performance Data:**

- Pressure: 20 - 125 psi
- Temperature: 40°F - 140°F
- Flow Rate: 5.05 GPM @ 60 psi

