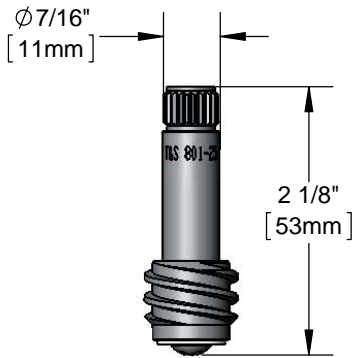




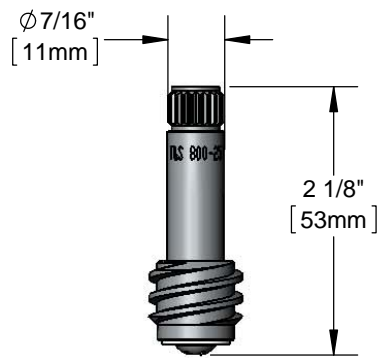
Architect/Engineering Specifications:

T&S B-1100 spindle replacement parts kit with Teflon seats. Certified to NSF 61–Section 9 and NSF 372.

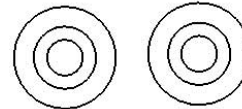
Job Name \_\_\_\_\_  
 Model Specified \_\_\_\_\_ Quantity \_\_\_\_\_  
 Variations Specified \_\_\_\_\_  
 Date \_\_\_\_\_



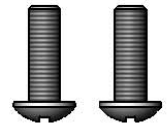
000801-25  
Removable Spindle, LTC  
(Qty 1)



000800-25  
Removable Spindle, RTC  
(Qty 1)



001136-45  
Teflon Seat  
Washer  
(Qty 2)



000933-45  
Screw  
(Qty 2)

Features & Benefits:

- RTC and LTC B-1100 compression cartridges spindle kit w/ Teflon seat washers

Product Compliance:

- NSF 61 - Section 9
- NSF 372 (Low Lead Content)



Warranty: One Year (Limited)

Performance Data:

- N/A

