



Washdown Stations

MV-0771-12NW

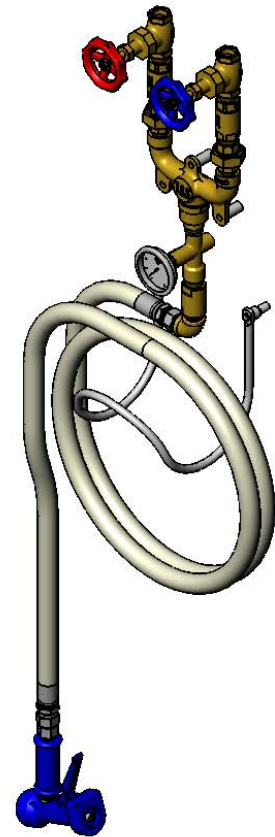
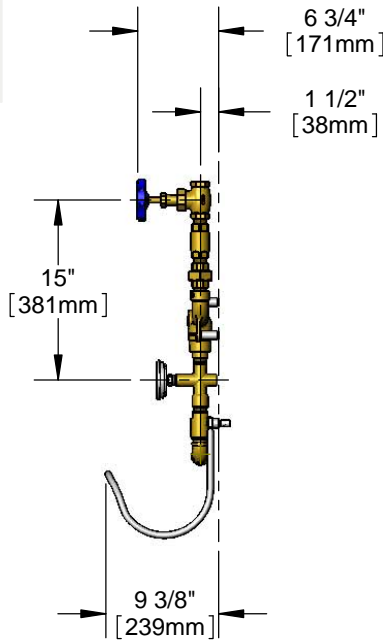
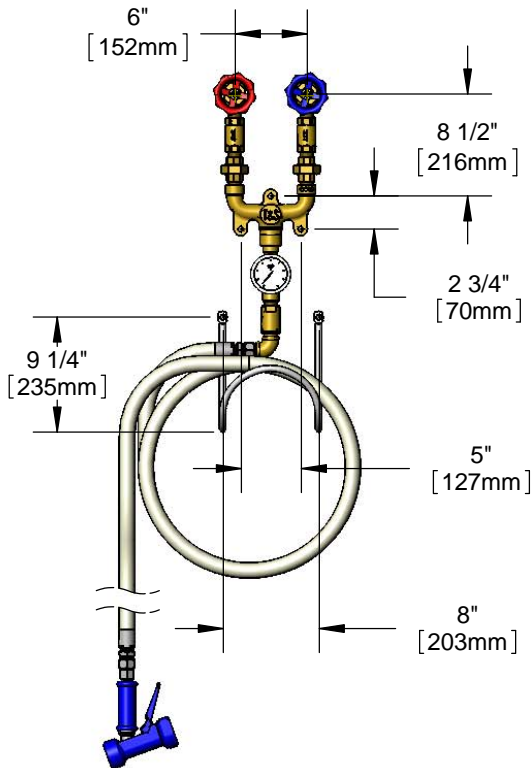
TAG:

Mixing Valve

Architect/Engineering Specifications:

Washdown station w/ 3/4" brass mixing valve, ball valves, check valves, thermometer, 50' hose, rear trigger stainless steel water gun & hose rack.

Job Name _____
 Model Specified _____ Quantity _____
 Variations Specified _____
 Date _____



Features & Benefits:

- Rear trigger stainless steel water gun w/ rubber cover and 7/16" orifice
- 3/4" Globe valves w/ color coded handles
- 3/4" check valves to prevent cross flow of water
- Brass thermometer tee
- Stainless steel thermometer, temperature range 0 °F-200 ° F
- 3/4" I.D. x 50' creamery hose w/ inlet swivel
- Stainless steel hose rack w/ mounting hardware
- Material: Brass tee, stainless steel thermometer, water gun and rubber hose

Product Compliance:

- NSF 61 Exempt (Non-Potable)

Warranty: One Year (Limited)

Performance Data:

- Pressure: 20 - 125 psi
- Temperature: 40 °F - 200 °F
- Flow Rate: 10.60 GPM @ 60 psi



T&S BRASS AND BRONZE WORKS, INC.



• 2 Saddleback Cove • Travelers Rest, SC 29690
 Ph 800-476-4103 • Fax 864-834-3518
 • Simi Valley, CA • Ph 800-423-0150 • www.tsbrass.com

Date: 12/14/15