



# Washdown Stations

## MV-0771-12C

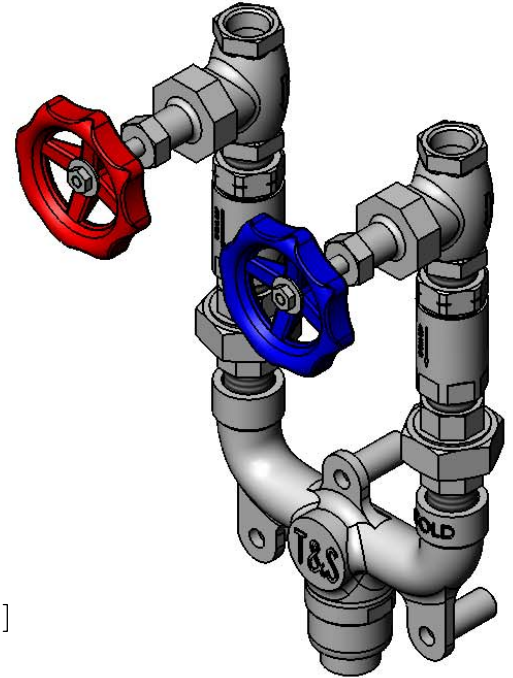
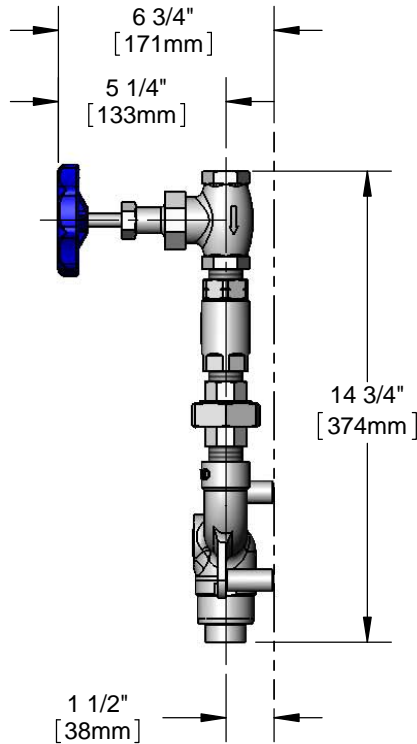
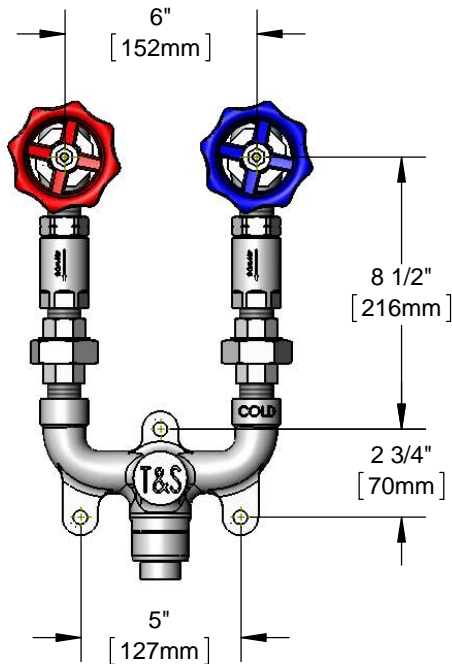
TAG:

Mixing Valve

### Architect/Engineering Specifications:

Chrome plated 3/4" mixing valve with check valves, globe valves and 3/4" NPT Female connections.

Job Name _____
Model Specified _____ Quantity _____
Variations Specified _____
Date _____



### Features & Benefits:

- 3/4" mixing valve
- 3/4" check valves
- 3/4" globe valve w/ color coded handles
- 3/4" NPT female inlets and outlet
- Material: Chrome plated brass

### Product Compliance:

- NSF 61 Exempt (Non-Potable)

**Warranty:** One Year (Limited)

### Performance Data:

- Pressure: 20 - 125 psi
- Temperature: 40 °F - 200 °F
- Flow Rate: 41.94 GPM @ 60 psi

(Outlet Device &/or Final Configuration May Reduce Flow Rate)



T&S BRASS AND BRONZE WORKS, INC.



• 2 Saddleback Cove • Travelers Rest, SC 29690  
 Ph 800-476-4103 • Fax 864-834-3518  
 • Simi Valley, CA • Ph 800-423-0150 • www.tsbrass.com

Date: 08/27/15