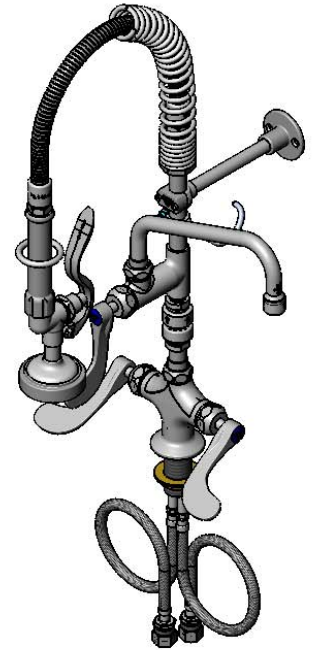
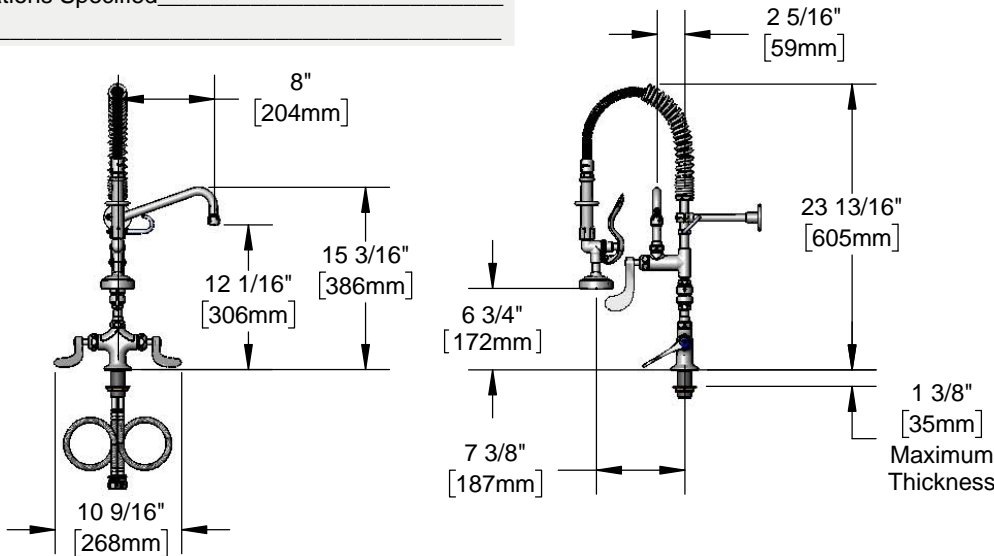




Architect/Engineering Specifications:

Single hole deck mount mixing faucet with polished chrome plated brass body, add-on faucet with ceramic cartridge and wrist action handle, 8" swing nozzle with stream regulator outlet, 5 3/16" riser, vacuum breaker, 24" flexible stainless steel hose with heat resistant handle, 1.42 GPM spray valve, ceramic cartridges with check valves, wrist action handles, 18" flexible stainless steel supply hoses with 1/2" NPSM / 5/8" compression connections, 6" adjustable wall bracket, spray valve holder and overhead spring. Certified to ASME A112.18.1/CSA B125.1, NSF 61-Section 9 and NSF 372. EPAAct 2005 compliant.

Job Name _____
Model Specified _____ Quantity _____
Variations Specified _____
Date _____



Features & Benefits:

- Single hole deck mount mixing faucet w/ polished chrome plated brass body & Ø 2 1/4" deck flange
• EasyInstall add-on faucet w/ polished chrome plated brass body
• Continuous pressure vacuum breaker
• 8" swing nozzle w/ stream regulator outlet, Series 1
• 5 3/16" rigid riser
• 24" flexible stainless steel hose w/ heat resistant gray handle and hold down ring
• 1.42 GPM spray valve
• Quarter-turn Cerama cartridges with check valves to prevent cross flow of water
• 4" wrist action handles w/ color coded indexes
• 18" flexible stainless steel supply hoses w/ 1/2" NPSM / 5/8" compression connections
• 6" adjustable wall bracket
• Material: Polished chrome plated brass body & tubular nozzle, add-on faucet body, riser, vacuum breaker & spray valve, stainless steel hose and chrome plated metal handles

Product Compliance:

- ASME A112.18.1 / CSA B125.1
• NSF 61 - Section 9
• NSF 372 (Low Lead Content)
• EPAAct 2005 (PRSV)
• CSA B64.8 (VB)
• For Commercial Use Only



Warranty: Three Year (Limited)

- Cerama Cartridge: Lifetime (Limited)

Performance Data:

- Pressure: 20 - 125 psi
• Temperature: 40 °F - 140 °F
• Flow Rate:
Spray Valve: 1.42 GPM @ 60 psi
Add-On Faucet: 4.51 GPM @ 60 psi

Optional Cartridges With Checks

- Quarter-Turn Cerama w/ Check Valve (Standard)
 Quarter-Turn Eterna w/ Spring Check

Optional Handles

- 4" Wrist Action (Standard)
 Lever
 4-Arm

Optional Pre-Rinse Spray Valves

- B-0107 (1.42 GPM) (Standard)
 B-0107-C (0.65 GPM)
 B-0107-J (1.07 GPM)
 B-0108 (1.48 GPM)
 B-0108-C (0.65 GPM)

Optional Add-On Faucet Outlets (Series 1 / VR Series 6)

Table with 3 columns: GPM, Aerated, VR Aerated (VR Laminar). Rows for 1.0, 1.5, and 2.2 GPM.

