



MPY-2DCV-08

Easy Install

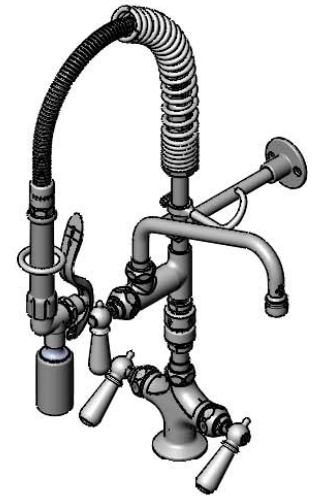
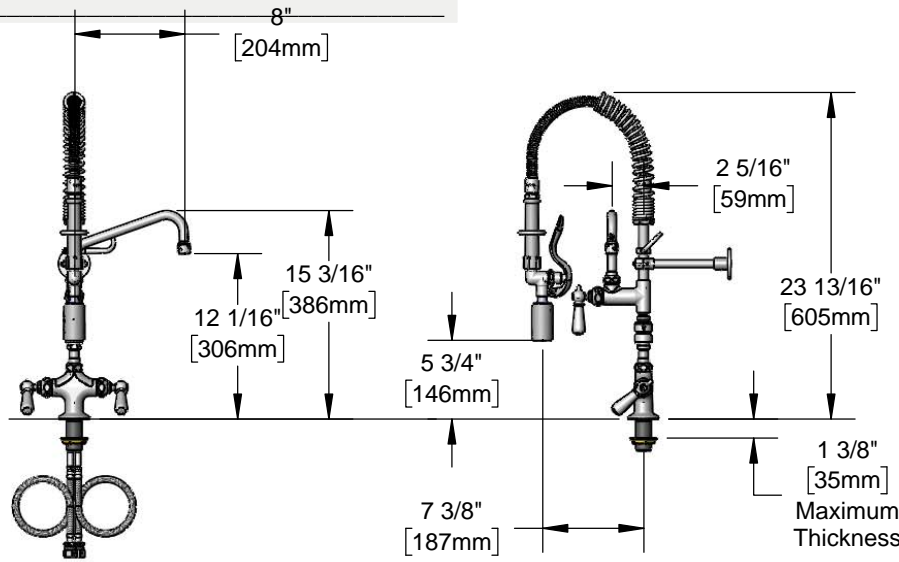
Mini Pre-Rinse Unit

TAG:

Architect/Engineering Specifications:

Single hole deck mount mixing faucet with polished chrome plated brass body, add-on faucet with compression cartridge with spring check and club handle, 8" swing nozzle with stream regulator outlet, 5 3/16" riser, vacuum breaker, 24" flexible stainless steel hose with heat resistant handle, 0.65 GPM low flow spray valve, compression cartridges with spring checks, club handles, 18" flexible stainless steel supply hoses with 1/2" NPSM / 5/8" compression connections, 6" adjustable wall bracket, spray valve holder and overhead spring. Certified to ASME A112.18.1/CSA B125.1, NSF 61-Section 9 and NSF 372. EPAAct 2005 compliant.

Job Name _____
Model Specified _____ Quantity _____
Variations Specified _____
Date _____



Features & Benefits:

- Single hole deck mount mixing faucet w/ polished chrome plated brass body & Ø 2 1/4" deck flange
• EasyInstall add-on faucet w/ polished chrome plated brass body
• Continuous pressure vacuum breaker
• 8" swing nozzle w/ stream regulator outlet, Series 1
• 8" rigid riser
• 24" flexible stainless steel hose w/ heat resistant gray handle and hold down ring
• 0.65 GPM low flow spray valve
• Quarter-turn Eterna compression cartridges with spring checks to prevent cross flow of water
• Club handles w/ hot & cold indexes
• 18" flexible stainless steel supply hoses w/ 1/2" NPSM / 5/8" compression connections
• 6" adjustable wall bracket
• Material: Polished chrome plated brass body & tubular nozzle, add-on faucet body, riser & spray valve, stainless steel hose and chrome plated metal handles

Optional Add-On Faucet Outlets (Series 1 / VR Series 6)

Table with 3 columns: GPM, Aerated, VR Aerated (VR Laminar). Rows include 1.0, 1.5, and 2.2 GPM options.

Product Compliance:

- ASME A112.18.1 / CSA B125.1
• NSF 61 - Section 9
• NSF 372 (Low Lead Content)
• EPAAct 2005 (PRSV)
• EPA WaterSense (PRSV)
• For Commercial Use Only



Warranty: Three Year (Limited)

Performance Data:

- Pressure: 20 - 125 psi
• Temperature: 40°F - 140°F
• Flow Rate:
Spray Valve: 0.65 GPM @ 60 psi
Add-On Faucet: 5.57 GPM @ 60 psi

Optional Cartridges With Checks

- Quarter-Turn Cerama w/ Check Valve
□ Quarter-Turn Eterna w/ Spring Check (Standard)

Optional Handles

- 4" Wrist Action
□ Lever
□ 4-Arm

Optional Pre-Rinse Spray Valves

- B-0107 (1.42 GPM)
□ B-0107-C (0.65 GPM) (Standard)
□ B-0107-J (1.07 GPM)
□ B-0108 (1.48 GPM)
□ B-0108-C (0.65 GPM)



T&S BRASS AND BRONZE WORKS, INC.

• 2 Saddleback Cove • Travelers Rest, SC 29690
Ph 800-476-4103 • Fax 864-834-3518
• Simi Valley, CA • Ph 800-423-0150 • www.tsbrass.com

Date: 05/05/17