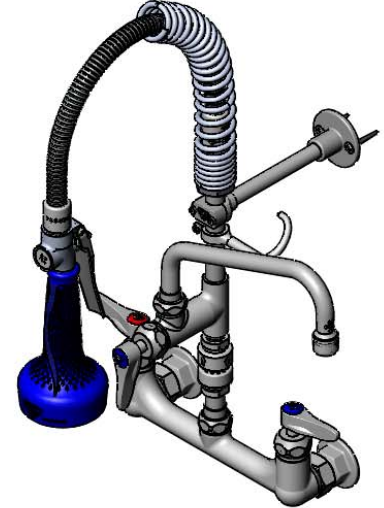
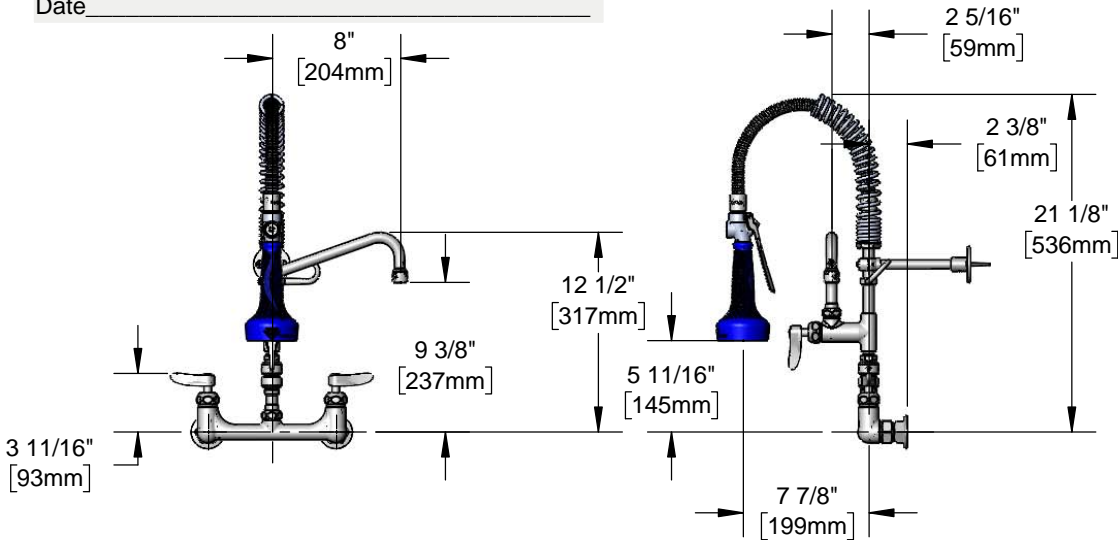




Architect/Engineering Specifications:

8" wall mount mixing faucet with polished chrome plated brass body, add-on faucet with ceramic cartridge with check valve and lever handle, 8" swing nozzle with stream regulator outlet, 5 3/16" riser, vacuum breaker, 24" flexible stainless steel hose, 0.65 GPM low flow spray valve, ceramic cartridges with check valves, lever handles, 1/2" NPT female inlets, 6" adjustable wall bracket, spray valve holder and overhead spring. Certified to ASME A112.18.1/CSA B125.1, NSF 61-Section 9 and NSF 372. EPAAct 2005 compliant.

Job Name \_\_\_\_\_
Model Specified \_\_\_\_\_ Quantity \_\_\_\_\_
Variations Specified \_\_\_\_\_
Date \_\_\_\_\_



Features & Benefits:

- 8" wall mount mixing faucet w/ polished chrome plated brass body
EasyInstall add-on faucet w/ polished chrome plated brass body
Continuous pressure vacuum breaker
8" swing nozzle w/ stream regulator outlet, Series 1
5 3/16" rigid riser
24" flexible stainless steel hose
0.65 GPM low flow JetSpray valve w/ insulated grip handle, stainless steel trigger and trigger lock
Quarter-turn Cerama cartridges with check valves to prevent cross flow of water
Lever handles w/ color coded indexes
1/2 NPT female eccentric inlets with 2" flanges
Adjustable centers from 7 3/4" to 8 1/4"
6" adjustable wall bracket
Material: Polished chrome plated brass body, tubular nozzle vacuum breaker, add-on faucet body, riser & spray valve, stainless steel hose and chrome plated metal handles

Product Compliance:

- ASME A112.18.1 / CSA B125.1
NSF 61 - Section 9
NSF 372 (Low Lead Content)
EPAAct 2005 (PRSV)
EPA WaterSense (PRSV)
CSA B64.8 (VB)
For Commercial Use Only



Warranty: Three Year (Limited)

- Cerama Cartridge: Lifetime (Limited)

Performance Data:

- Pressure: 20 - 125 psi
Temperature: 40°F - 140°F
Flow Rate:
Spray Valve: 0.65 GPM @ 60 psi
Add-On Faucet: 5.35 GPM @ 60 psi

Optional Add-On Faucet Outlets (Series 1 / VR Series 6)

Table with 3 columns: GPM, Aerated, VR Aerated (VR Laminar). Rows include 1.0, 1.5, and 2.2 GPM options.

Optional Cartridges With Checks

- Quarter-Turn Cerama w/ Check Valve (Standard)
Quarter-Turn Eterna w/ Spring Check

Optional Handles

- 4" Wrist Action
Lever (Standard)
4-Arm

Optional Pre-Rinse Spray Valves

- B-0107 (1.42 GPM)
B-0107-C (0.65 GPM)
B-0107-J (1.07 GPM)
B-0108 (1.48 GPM)
B-0108-C (0.65 GPM) (Standard)

