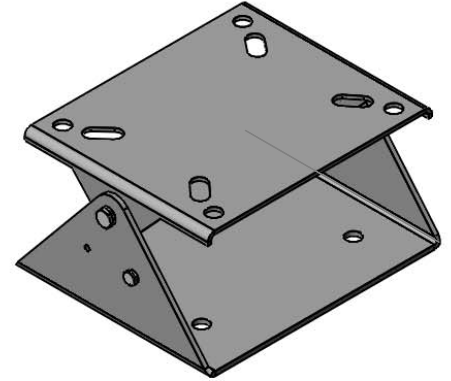
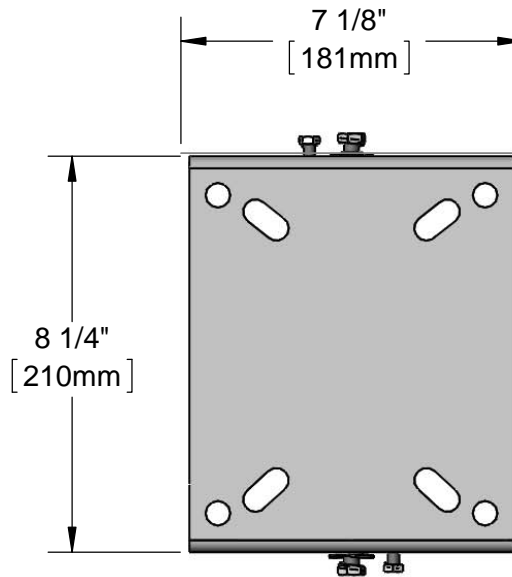
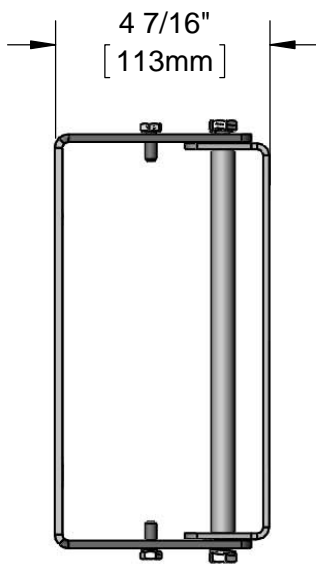




Architect/Engineering Specifications:

Universal hose reel swing bracket with stainless steel body, fits all 3/8" and 1/2" T&S hose reels, mounts to the wall and swings 100 degrees.

Job Name _____
 Model Specified _____ Quantity _____
 Variations Specified _____
 Date _____



Features & Benefits:

- Universal hose reel bracket with stainless steel body
- Swings 100 degrees
- Fits all 3/8" & 1/2" T&S hose reels
- Mounts to wall, hardware not included
- Material: Stainless steel body

Product Compliance:

- N/A

Warranty: One Year (Limited)

Performance Data:

- N/A

