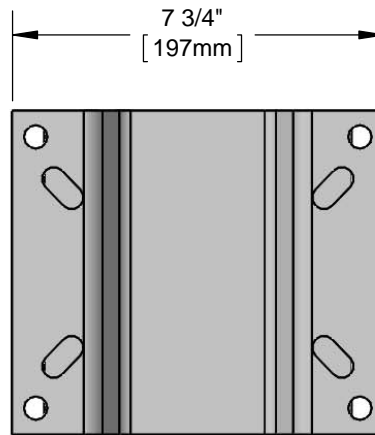
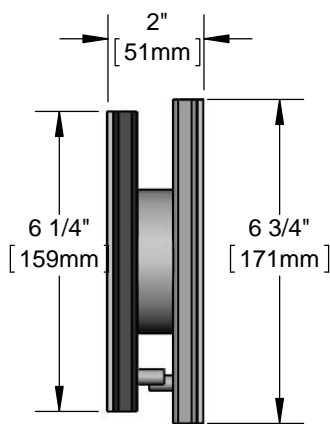
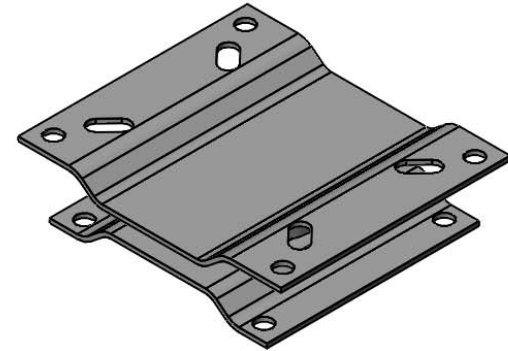




**Architect/Engineering Specifications:**

Hose reel pivot bracket with epoxy coated steel body, fits all T&S 3/8" and 1/2" hose reels, mounts to the ceiling or tabletop and pivots 345 degrees.

Job Name \_\_\_\_\_  
 Model Specified \_\_\_\_\_ Quantity \_\_\_\_\_  
 Variations Specified \_\_\_\_\_  
 Date \_\_\_\_\_



**Features & Benefits:**

- Hose reel pivot bracket with epoxy coated steel body
- Pivots 345 degrees
- Fits all T&S 3/8" & 1/2" hose reels
- Mounts to the ceiling or tabletop, hardware & safety cables not provided.
- Material: Epoxy coated steel body

**Product Compliance:**

- N/A

**Warranty:** One Year (Limited)

**Performance Data:**

- N/A

