



**Architect/Engineering Specifications:**

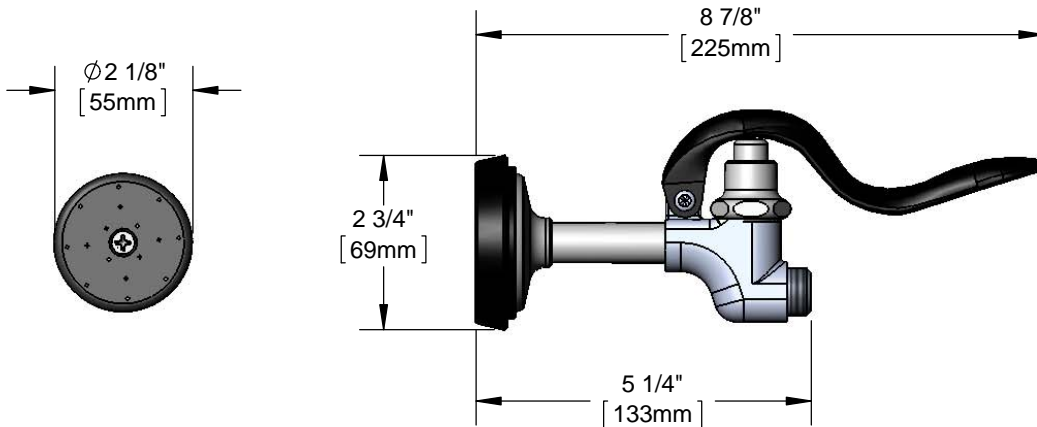
4.50 GPM high flow spray valve, polished chrome plated brass body with rubber bumper and 3/4-14 UN male inlet. Certified to ASME A112.18.1/CSA B125.1, NSF 61-Section 9 and NSF 372.

Job Name \_\_\_\_\_

Model Specified \_\_\_\_\_ Quantity \_\_\_\_\_

Variations Specified \_\_\_\_\_

Date \_\_\_\_\_



**Features & Benefits:**

- Designed for heavy-duty use in industrial kitchens
- 4.50 GPM high flow spray valve
- Shuts off when handle is released
- 3/4-14 UN male inlet fitting
- Material: Polished chrome plated brass body and rubber bumper

**Product Compliance:**

- ASME A112.18.1 / CSA B125.1
- NSF 61 - Section 9
- NSF 372 (Low Lead Content)
- EPAAct 2005 Non-Compliant (PRSV)



**Warranty:** One Year (Limited)



**Performance Data:**

- Pressure: 20 - 125 psi
- Temperature: 40 °F - 140 °F
- Flow Rate: 4.50 GPM @ 60 psi

