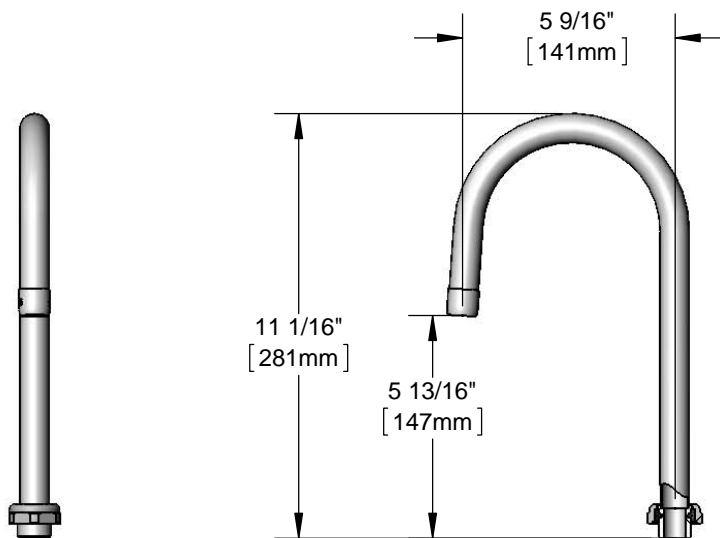
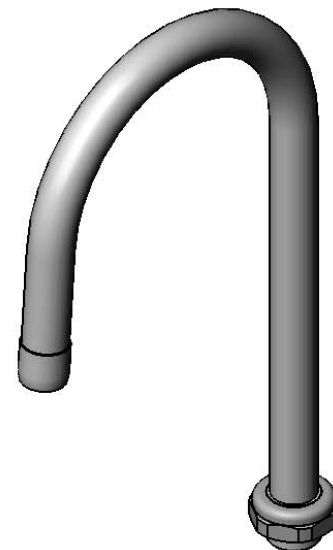




#### Architect/Engineering Specifications:

5 9/16" swivel gooseneck with polished chrome plated brass tubular body and laminar outlet flow device. Certified to ASME A112.18.1/CSA B125.1, NSF 61-Section 9 and NSF 372.

Job Name _____
Model Specified _____ Quantity _____
Variations Specified _____
Date _____



#### Features & Benefits:

- 5 9/16" swivel gooseneck
- Laminar outlet flow device
- Fits all equip swivel outlet faucets
- Material: Chrome plated brass tubular spout

#### Product Compliance:

- ASME A112.18.1 / CSA B125.1
- NSF 61 - Section 9
- NSF 372 (Low Lead Content)

**Warranty:** One Year (Limited)

#### Performance Data:

- Pressure: 20 - 125 psi
- Temperature: 40°F - 140°F
- Flow Rate: 4.50 GPM @ 60 psi

