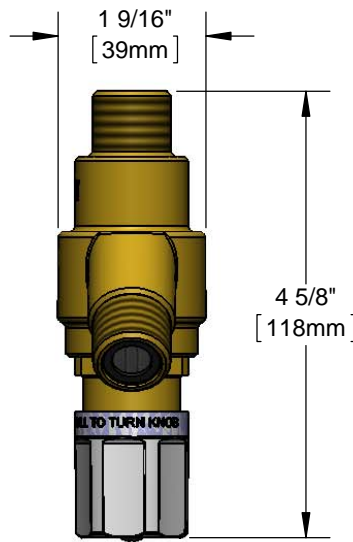
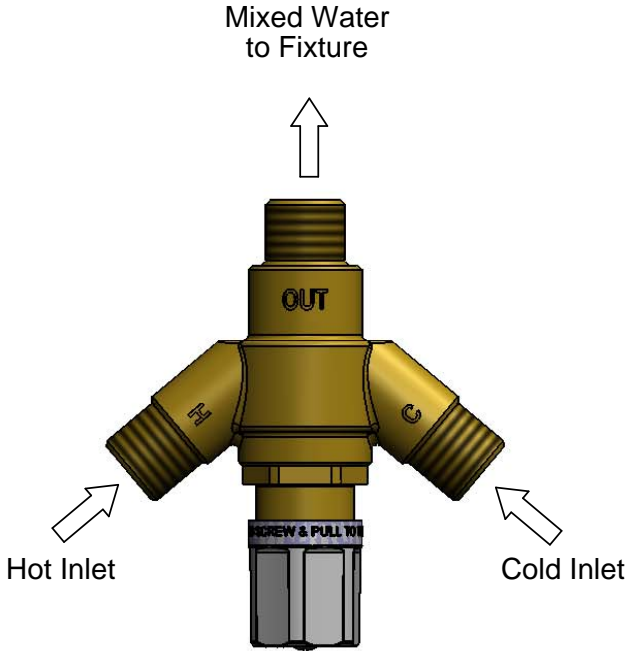
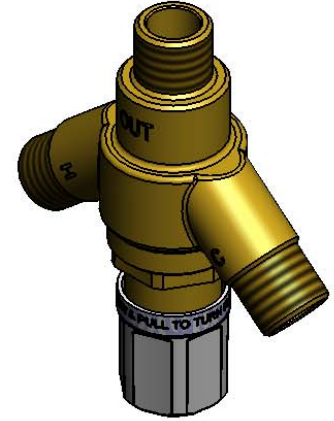


Architect/Engineering Specifications:

Thermostatic mixing valve with integral check valves, filter screens, locking adjustment knob and 1/2" NPSM male fittings. Certified to ASME A112.18.1/CSA B125.1, NSF 61-Section 9, NSF 372 and ASSE 1070.

Job Name _____
 Model Specified _____ Quantity _____
 Variations Specified _____
 Date _____



Features & Benefits:

- Thermostatic mixing valve
- Integral check valves and filter screens
- 1/2" NPSM male fittings
- Locking adjustment knob
- Material: Brass

Product Compliance:

- ASME A112.18.1 / CSA B125.1
- NSF 61 - Section 9
- NSF 372 (Low Lead Content)
- ASSE 1070

Warranty: One Year (Limited)

Performance Data:

- N/A

