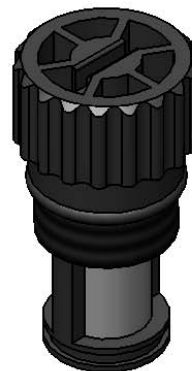
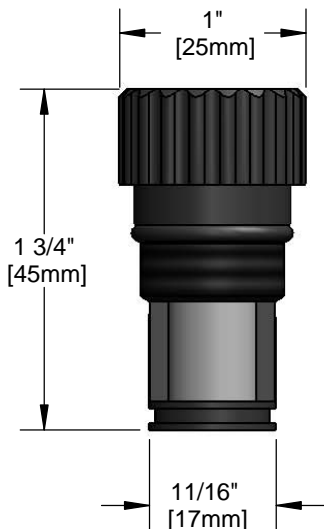




Architect/Engineering Specifications:

equip replacement control module filter with M20 x 1.5 male thread. Certified to ASME A112.18.1\CSA B125.1, NSF 61-Section 9 and NSF 372.

Job Name _____
 Model Specified _____ Quantity _____
 Variations Specified _____
 Date _____



Features & Benefits:

- equip replacement control module filter
- M20 x 1.5 male thread.
- Material: Plastic

Product Compliance:

- ASME A112.18.1 / CSA B125.1
- NSF 61 - Section 9
- NSF 372 (Low Lead Content)

Warranty: One Year (Limited)

Performance Data:

- N/A

