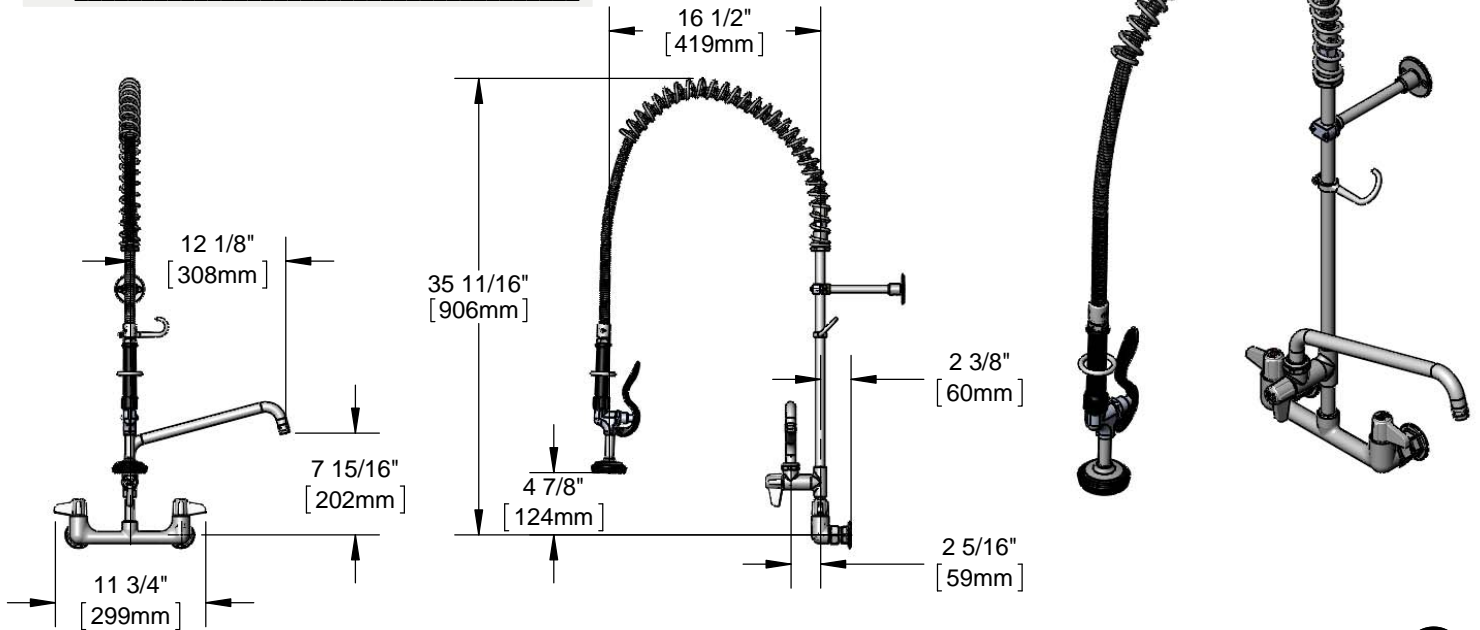




Architect/Engineering Specifications:

8" deck mount mixing faucet with polished chrome plated brass body, add-on faucet with ceramic cartridge and lever handle, 12" swing nozzle with laminar flow device, 18" riser, 44" flexible stainless steel hose with heat resistant handle, 1.42 GPM spray valve, ceramic cartridges, lever handles, in-line check valves, 1/2" NPT female inlets, 6" adjustable wall bracket, spray valve holder and overhead spring.

Job Name _____
Model Specified _____ Quantity _____
Variations Specified _____
Date _____



Features & Benefits:

- 8" deck mount mixing faucet w/ polished chrome plated brass body & Ø 2 1/4" Deck Flange
Add-on faucet w/ polished chrome plated brass body
12" swing nozzle w/ laminar flow device
18" rigid riser
44" flexible stainless steel hose w/ heat resistant black handle and hold down ring
1.42 GPM spray valve
Quarter-turn ceramic cartridges
Lever handles w/ color coded screws
In-line check valves
1/2" female inlets
6" adjustable wall bracket
Material: Polished chrome plated brass body & tubular nozzle, add-on faucet body, riser & spray valve, stainless steel hose and chrome plated metal handles

Product Compliance:

- ASME A112.18.1 / CSA B125.1
NSF 61 - Section 9
NSF 372 (Low Lead Content)
EPAAct 2005 (PRSV)

Warranty: One Year (Limited)

Performance Data:

- Pressure: 20 - 125 psi
Temperature: 40°F - 140°F
Flow Rate:
Spray Valve: 1.42 GPM @ 60 psi
Add-On Faucet: 4.62 GPM @ 60 psi

