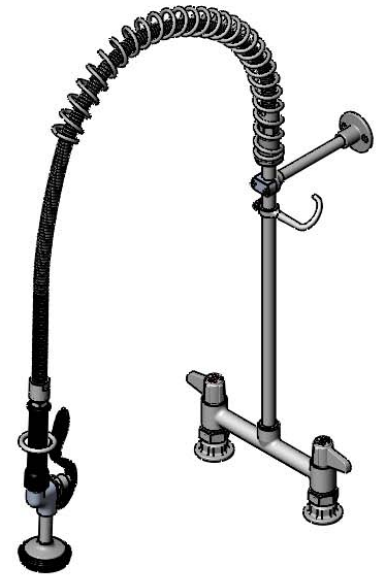
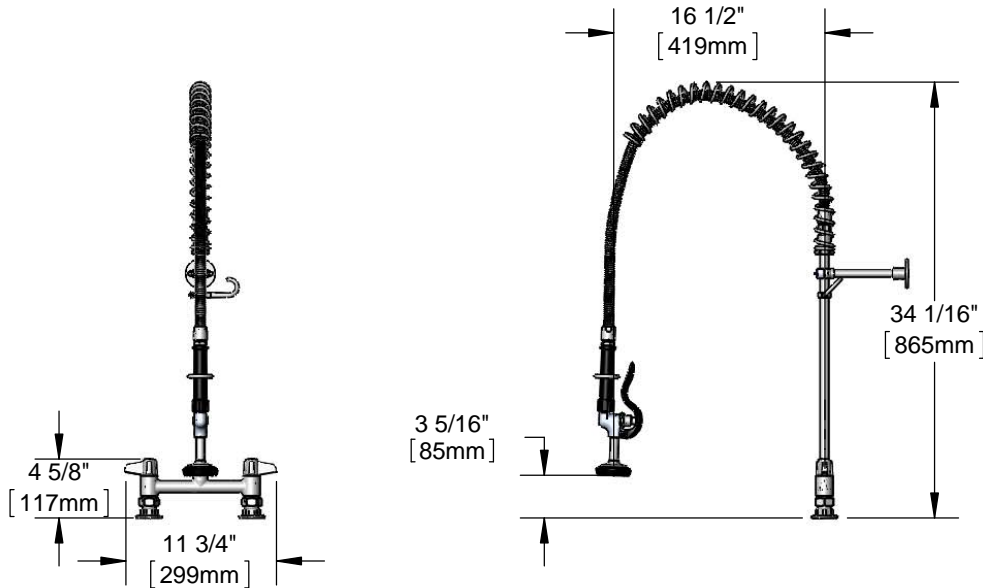




Architect/Engineering Specifications:

8" deck mount mixing faucet with polished chrome plated brass body, 18" riser, 44" flexible stainless steel hose with heat resistant handle, high flow spray valve, in-line check valve, ceramic cartridges, lever handles, 1/2" NPT female inlets, 6" adjustable wall bracket, spray valve holder and overhead spring. Certified to ASME A112.18.1/CSA B125.1, NSF 61-Section 9 and NSF 372. EPAAct 2005 compliant.

Job Name _____
 Model Specified _____ Quantity _____
 Variations Specified _____
 Date _____



Features & Benefits:

- 8" deck mount polished chrome plated brass body
- 18" rigid riser
- 44" flexible stainless steel hose w/ heat resistant black handle and hold down ring
- High flow spray valve
- In-line check valves
- Quarter-turn ceramic cartridges
- Lever handles w/ color coded screws
- 1/2" NPT female eccentric inlets with $\phi 2"$ flanges
- Adjustable centers 7 3/4" to 8 1/4"
- 6" adjustable wall bracket
- Material: Polished chrome plated brass body, riser & spray valve body stainless steel hose and chrome plated metal handles

Product Compliance:

- ASME A112.18.1 / CSA B125.1
- NSF 61 - Section 9
- NSF 372 (Low Lead Content)
- EPAAct 2005 Non-Compliant (PRSV)
- Product Not Designed/Intended for Commercial Warewashing in North America



Warranty: One Year (Limited)

Performance Data:

- Pressure: 20 - 125 psi
- Temperature: 40 °F - 140 °F
- Flow Rate: 4.35 GPM @ 60 psi

