



Single Lever Faucets

5SL-1000

TAG:

4" Centerset Single Lever Faucet

Architect/Engineering Specifications:

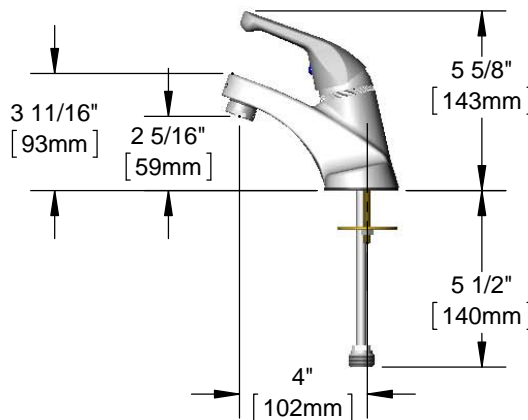
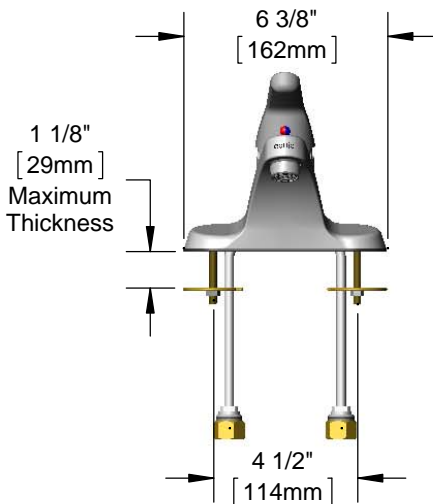
4" centerset, deck mount lavatory single lever faucet with polished chrome plated metal body with integral spout, 2.0 GPM aerator, rotating stainless steel ball control, single lever handle, 1/2" NPSM male inlets with 3/8" OD flexible copper tubing. Certified to ASME A112.18.1/CSA B125.1, NSF 61-Section 9 and NSF 372. Meets ADA ANSI/ICC A117.1 requirements.

Job Name _____

Model Specified _____ Quantity _____

Variations Specified _____

Date _____



Features & Benefits:

- 4" centerset, deck mount lavatory single lever faucet
- Polished chrome plated metal body with integral spout
- 2.0 GPM aerator
- Single lever handle with color coded index
- Rotating stainless steel ball control
- 1/2" NPSM male inlets w/ 3/8" O.D. flexible copper tubing
- Mounting hardware and deck gasket
- Material: Polished chrome plated metal body and handle

Product Compliance:

- ASME A112.18.1 / CSA B125.1
- NSF 61 - Section 9
- NSF 372 (Low Lead Content)
- ANSI A117.1 (ADA)

Warranty: One Year (Limited)

Performance Data:

- Pressure: 20 - 125 psi
- Temperature: 40°F - 140°F
- Flow Rate: 2.0 GPM @ 60 psi



equip Foodservice Accessories



• 2 Saddleback Cove • Travelers Rest, SC 29690
Ph 800-891-4808 • Fax 800-868-0084
www.tsbrass.com

Date: 10/21/15