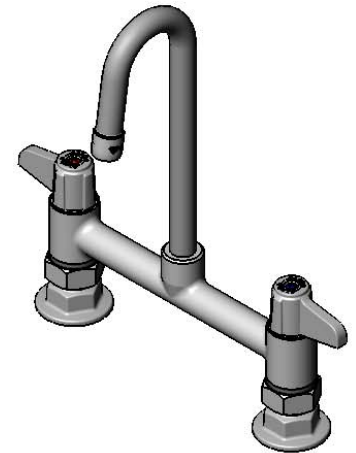
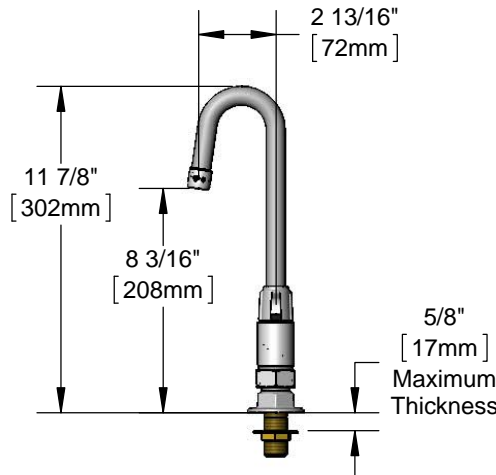
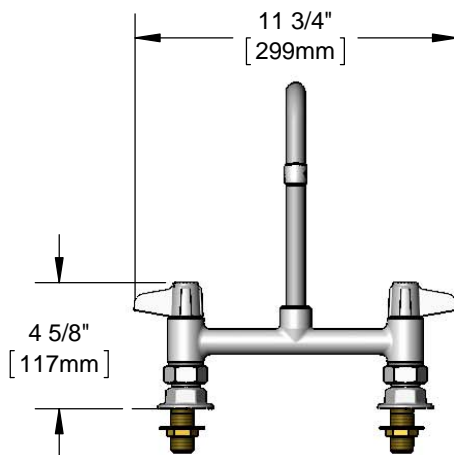


**Architect/Engineering Specifications:**

8" deck mount mixing faucet with polished chrome plated brass body, 2 13/16" rigid gooseneck with laminar full flow device, ceramic cartridges, lever handles and 1/2" NPT male inlets. Certified to ASME A112.18.1/CSA B125.1, NSF 61-Section 9 and NSF 372. Meets ADA ANSI/ICC A117.1 requirements.

Job Name \_\_\_\_\_  
 Model Specified \_\_\_\_\_ Quantity \_\_\_\_\_  
 Variations Specified \_\_\_\_\_  
 Date \_\_\_\_\_



**Features & Benefits:**

- 8" deck mount mixing faucet with polished chrome plated brass body
- 2 13/16" equip rigid gooseneck w/ laminar full flow device
- Quarter-turn ceramic cartridges
- equip lever handles w/ color coded screws
- 1/2" NPT female inlets w/ Ø 2" flanges
- 1/2" NPT male supply inlets
- Adjustable centers from 7 3/4" to 8 1/4"
- Material: Polished Chrome plated brass body & tubular spout and chrome plated metal handles

**Product Compliance:**

- ASME A112.18.1 / CSA B125.1
- NSF 61 - Section 9
- NSF 372 (Low Lead Content)
- ANSI A117.1 (ADA)

**Warranty:** One Year (Limited)

**Performance Data:**

- Pressure: 20 - 125 psi
- Temperature: 40 °F - 140 °F
- Flow Rate: 5.25 GPM @ 60 psi



ADA Compliant