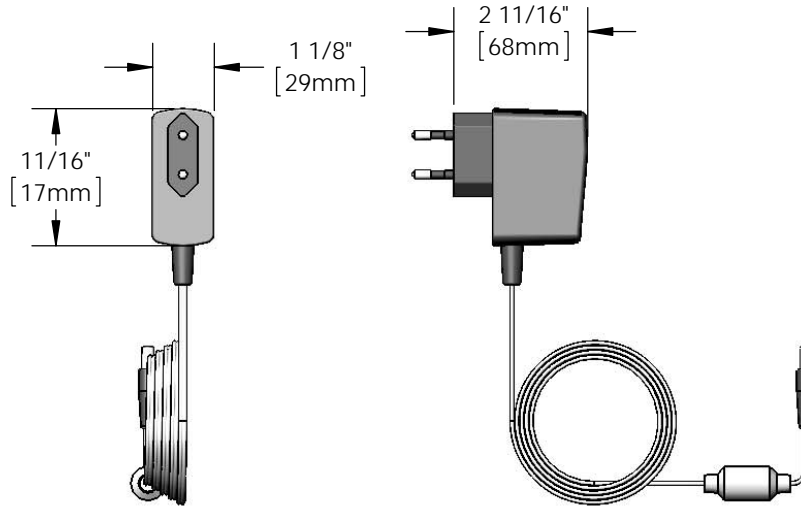
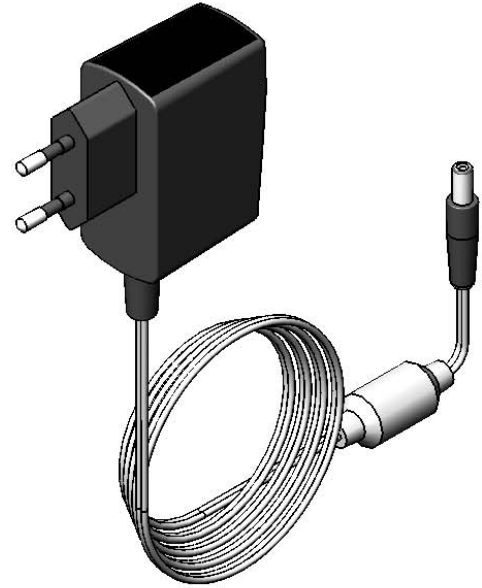




Architect/Engineering Specifications:

Plug-in AC transformer power supply with power cord.

Job Name _____
 Model Specified _____ Quantity _____
 Variations Specified _____
 Date _____



Features & Benefits:

- Plug-in AC transformer power supply with 71" power cord

Product Compliance:

- N/A



Warranty: One Year (Limited)

Performance Data:

- Input: 100-240 VAC
- Output: 6 VDC, 1.0A

