



Electronic Faucet Replacement Parts

5EF-0010

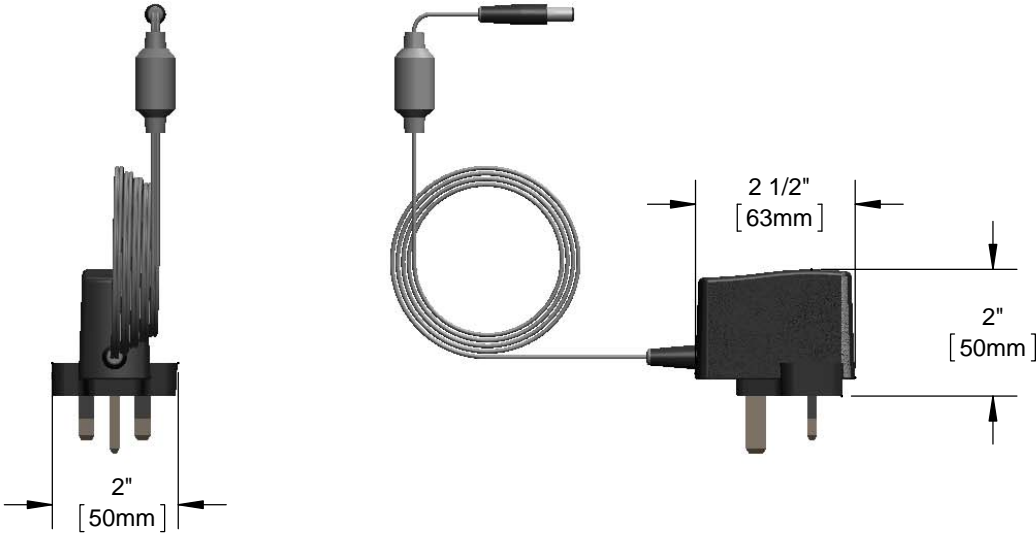
TAG:

72" UK Power Cord

Architect/Engineering Specifications:

72" power cord with 100-240 VAC transformer for UK Receptacle.

Job Name	_____
Model Specified	_____ Quantity _____
Variations Specified	_____
Date	_____



Features & Benefits:

- 72" power cord
- 100-240 VAC transformer for UK Receptacle.
- Attaches to transformer connection port on equip and CheckPoint sensor faucet control module

Product Compliance:

- N/A

Warranty: Three Year (Limited)

Performance Data:

- N/A



equip Foodservice Accessories



• 2 Saddleback Cove • Travelers Rest, SC 29690
 Ph 800-891-4808 • Fax 800-868-0084
 www.tsbrass.com

Date: 11/21/16