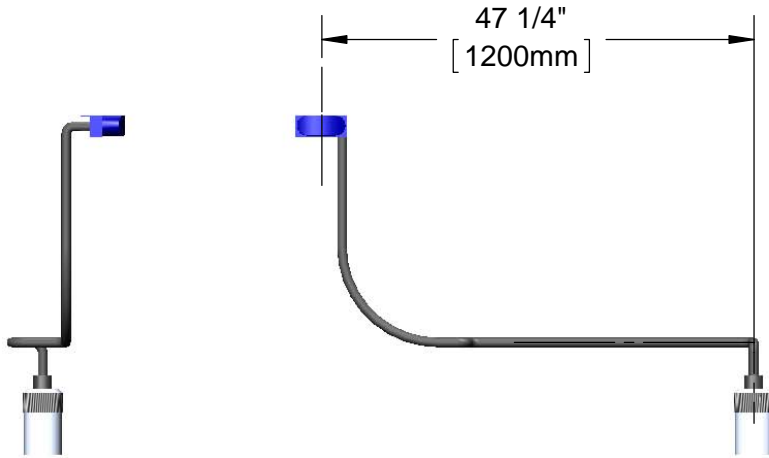
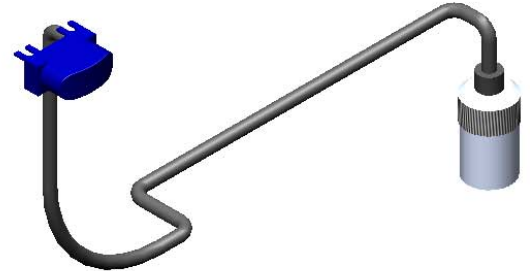


Architect/Engineering Specifications:

Convex lens with scratch resistant coating, 47 1/4" cable and sensor housing assembly.

Job Name _____
 Model Specified _____ Quantity _____
 Variations Specified _____
 Date _____



Features & Benefits:

- Convex lens w/ scratch resistant coating
- 47 1/4" [1200mm] cable
- Sensor housing assembly
- Water resistant cable connector attaches to faucet sensor cable connection on control module

Product Compliance:

- N/A

Warranty: Three Year (Limited)

Performance Data:

- N/A