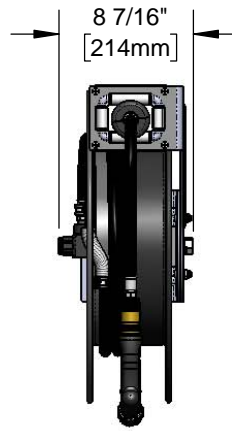
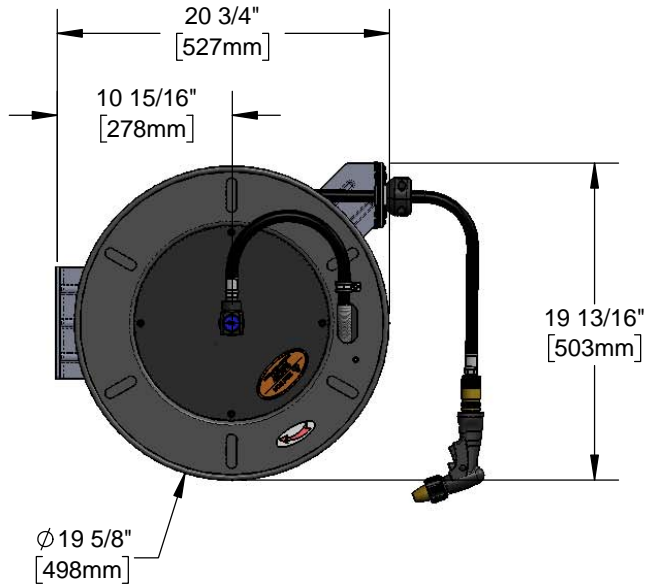


### Architect/Engineering Specifications:

Open epoxy coated steel hose reel, black front trigger spray valve, 3/8" x 50' heavy duty non-marking hose, ratcheting system, multi-fit bracket, adjustable hose bumper, 3/8" NPT female inlet and 3/8" NPT male x 1/2" NPT female reducing adapter.

Job Name \_\_\_\_\_  
 Model Specified \_\_\_\_\_ Quantity \_\_\_\_\_  
 Variations Specified \_\_\_\_\_  
 Date \_\_\_\_\_



### Features & Benefits:

- Open epoxy coated hose reel
- Black front trigger water gun
- 3/8" x 50' heavy duty non-marking hose rated to 300 psi
- Ratcheting system holds the length of hose until a slight tug to retract automatically
- 3/8" NPT female inlet
- 3/8" NPT male x 1/2" NPT female reducing adapter included
- Adjustable hose bumper
- Multi-fit bracket for wall, ceiling or under counter mounting
- Material: Epoxy coated steel open reel and wall bracket

### Product Compliance:

- EPA 2005 Non-Compliant (PRSV)
- NSF 61 Exempt (Non-Potable)

### Warranty: One Year (Limited)

- Hose: 90 Day (Limited)

### Performance Data:

- Pressure: 20 - 125 psi
- Temperature: 40°F - 140°F
- Flow Rate: 2.89 GPM @ 60 psi