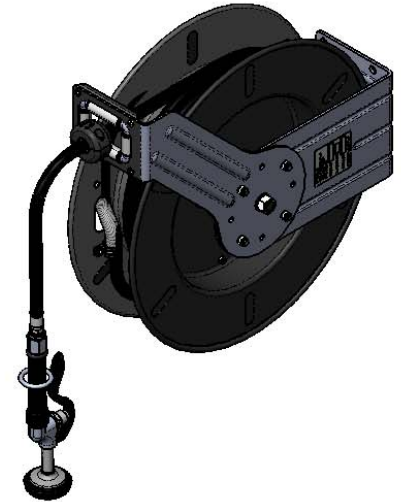
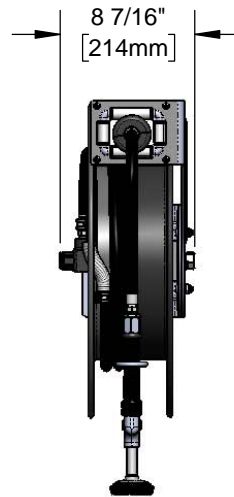
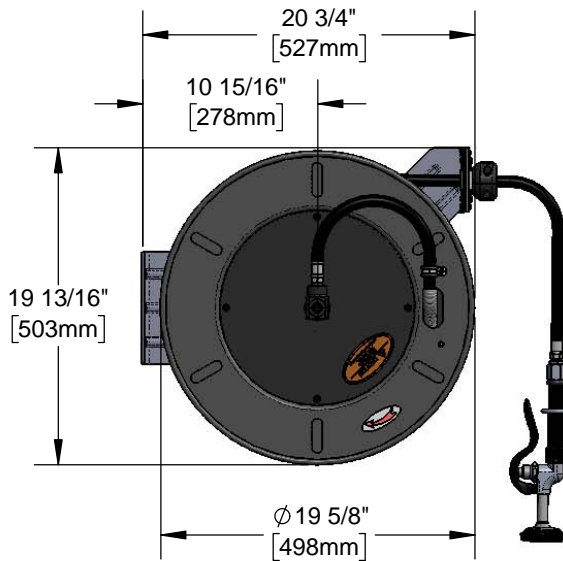


Architect/Engineering Specifications:

Open epoxy coated steel hose reel, high flow spray valve, 3/8" x 50' heavy duty non-marking hose, ratcheting system, multi-fit bracket, adjustable hose bumper and 3/8" NPT female inlet and 3/8" NPT male x 1/2" NPT reducing adapter.

Job Name _____
Model Specified _____ Quantity _____
Variations Specified _____
Date _____



Features & Benefits:

- Open coated hose reel
- Black high flow spray valve
- 3/8" x 50' heavy duty non-marking hose rated to 300 PSI
- Ratcheting system holds the length of hose until a slight tug to retract automatically
- 3/8" NPT female inlet
- 3/8" NPT male x 1/2" NPT reducing adapter included
- Adjustable hose bumper
- Multi-fit bracket for wall, ceiling or under counter mounting
- Material: Epoxy coated steel open reel and wall bracket, polished chrome plated spray valve

Product Compliance:

- EPA Act 2005 Non-Compliant (PRSV)
- NSF 61 Exempt (Non-Potable)

Warranty: One Year (Limited)

- Hose: 90 Day (Limited)

Performance Data:

- Pressure: 20 - 125 psi
- Temperature: 40 °F - 140 °F
- Flow Rate: 2.53 GPM @ 60 psi