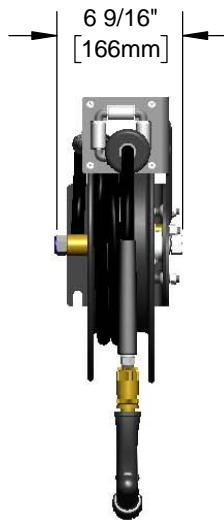
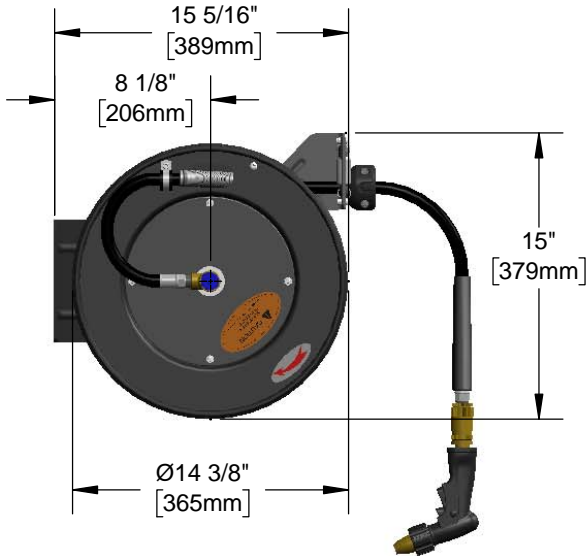


**Architect/Engineering Specifications:**

Open epoxy coated steel hose reel with black front trigger water gun, 3/8" NPT male x 1/2" NPT female reducing adapter, 3/8" x 35' heavy duty non-marking hose, ratcheting system, multi-fit bracket, adjustable hose bumper and 3/8" NPT female inlet.

Job Name \_\_\_\_\_  
 Model Specified \_\_\_\_\_ Quantity \_\_\_\_\_  
 Variations Specified \_\_\_\_\_  
 Date \_\_\_\_\_



**Features & Benefits:**

- Open coated hose reel
- Black front trigger water gun w/ quick disconnect and adapters
- 3/8" NPT male x 1/2" NPT female reducing adapter included
- 3/8" x 35' heavy duty non-marking hose rated to 300 PSI
- Ratcheting system holds the length of hose until a slight tug to retract automatically
- 3/8" NPT female inlet
- Adjustable hose bumper
- Multi-fit bracket for wall, ceiling or under counter mounting
- Material: Epoxy coated steel open reel wall bracket and brass & thermoplastic spray valve

**Product Compliance:**

- EPC 2005 Non-Compliant (PRSV)
- NSF 61 Exempt (Non-Potable)

**Warranty:** One Year (Limited)

- Hose: 90 Day (Limited)

**Performance Data:**

- Pressure: 20 - 125 psi
- Temperature: 40 °F - 140 °F
- Flow Rate: 3.02 GPM @ 60 psi