



Architect/Engineering Specifications:

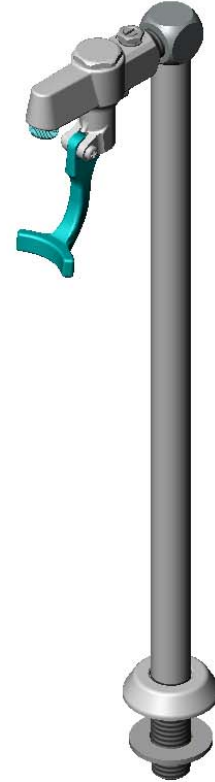
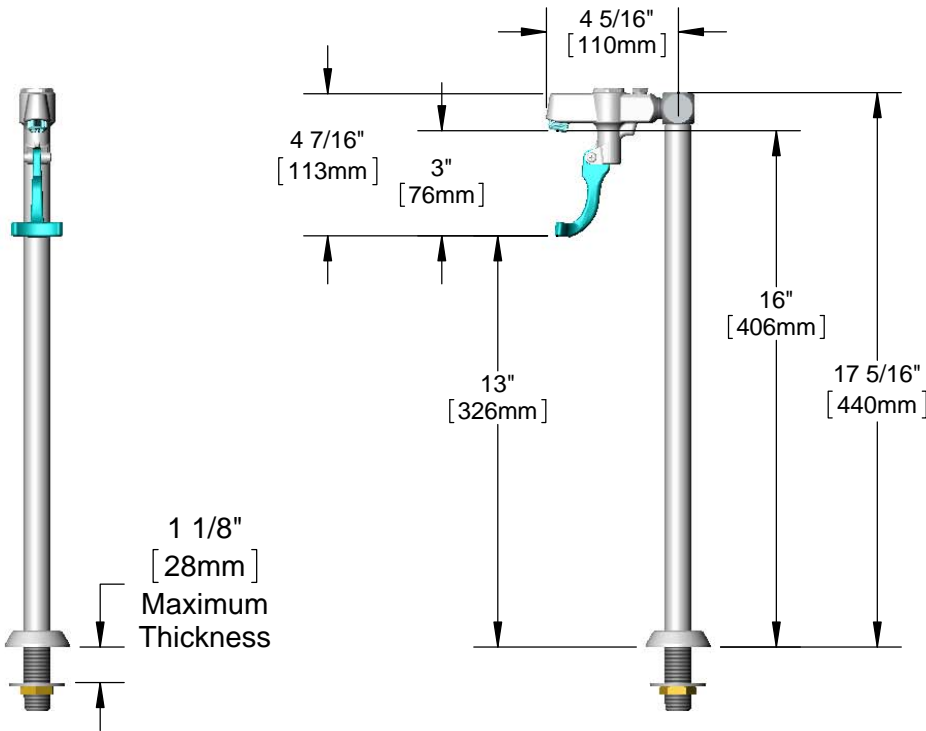
16" high deck glass filler with polished chrome plated brass body, adjustable flow control, push back actuation arm, pedestal with adjustable deck flange and 1/2" NPT male inlet, Certified to ASME A112.18.1\CSA B125.1, NSF 61-Section 9 and NSF 372. Meets ADA ANSINCC A117.1 requirements.

Job Name \_\_\_\_\_

Model Specified \_\_\_\_\_ Quantity \_\_\_\_\_

Variations Specified \_\_\_\_\_

Date \_\_\_\_\_



Features & Benefits:

- 16" high deck glass filler
- Adjustable flow control w/ screw driver
- Instantaneous shut-off
- 1/2" NPT male inlet
- Pedestal w/ adjustable  $\varnothing$ 2" flange
- Material: Polished chrome plated brass body & pedestal, chrome plated metal flange and thermoplastic arm

Product Compliance:

- ASME A112.18.1 / CSA B125.1
- NSF 61 - Section 9
- NSF 372 (Low Lead Content)
- ANSI A117.1 (ADA)

Warranty: One Year (Limited)

Performance Data:

- Pressure: 20 - 125 psi
- Temperature: 40 °F - 140 °F
- Flow Rate: 0.25 GPM min @ 60 psi  
2.50 GPM max @ 60 psi



ADA Compliant

