



**Architect/Engineering Specifications:**

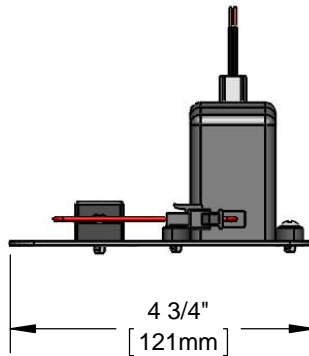
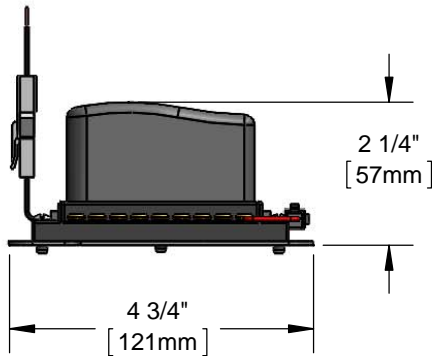
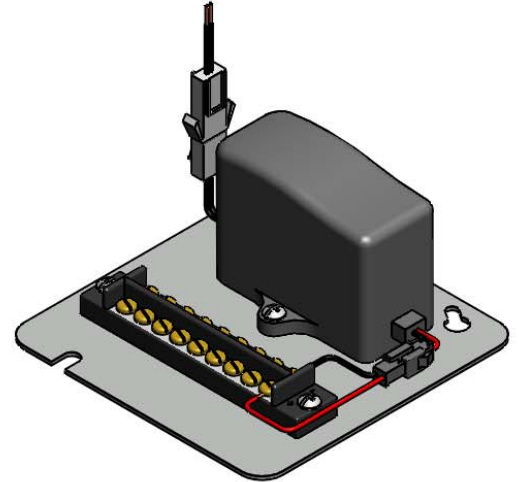
Hardwire AC transformer power supply with terminal block for 8 faucet connections. Complies with California CEC-400. UL Listed.

Job Name \_\_\_\_\_

Model Specified \_\_\_\_\_ Quantity \_\_\_\_\_

Variations Specified \_\_\_\_\_

Date \_\_\_\_\_



**Features & Benefits:**

- Plug-in AC transformer power supply
- Powers up to 8 ChekPoint electronic faucets
- For use with 4 11/16" square x 2 1/8" deep conduit box (not included)

**Product Compliance:**

- California CEC-400 (Power supplies)
- UL listed



**Warranty:** Three Year (Limited)

**Performance Data:**

- Input: 100-240 VAC
- Output: 6.5 VDC, 2000 mA

