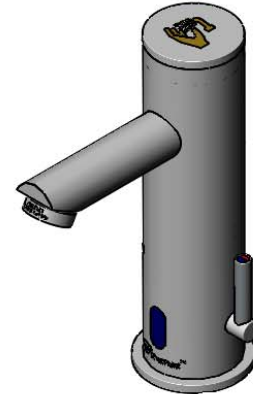
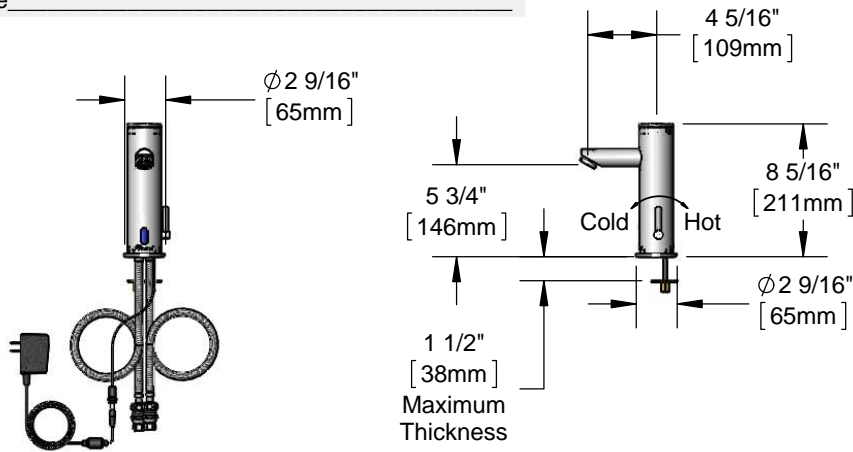




**Architect/Engineering Specifications:**

Single hole deck mount electronic sensor faucet with polished chrome plated brass body and integral spout, 0.5 GPM vandal resistant non-aerated spray device, above deck electronic AC/DC control module with internal flow control setting switches, above deck temperature mixing handle, 19" flexible stainless steel supply hoses and check valve adapters with 3/8" compression connections. Certified to ASME A112.18.1/CSA B125.1, NSF 61-Section 9, NSF 372 and UL 1951. Meets ADA ANSI/ICC A117.1 requirements.

Job Name \_\_\_\_\_  
 Model Specified \_\_\_\_\_ Quantity \_\_\_\_\_  
 Variations Specified \_\_\_\_\_  
 Date \_\_\_\_\_



**Features & Benefits:**

- Single hole deck mount faucet with polished chrome plated brass body and integral spout
- 0.5 GPM vandal resistant non-aerated spray device, Series 9 (B-0199-09-N05)
- Above deck electronic module w/ internal flow control switches for adjusting auto time out & shut off delay settings
- Optional auto flush feature flows water for 30 seconds after every 12 inactive hours
- Plug in AC transformer or (4) AA battery (DC) power option
- Above deck temperature mixing handle
- 19" flexible stainless steel supply hoses with filter washers
- Check valve adapters with 3/8" compression connections
- Low battery LED indicator light
- Material: Polished chrome plated brass body & spout

**Product Compliance:**

- ASME A112.18.1 / CSA B125.1
- NSF 61 - Section 9
- NSF 372 (Low Lead Content)
- ANSI A117.1 (ADA)
- UL 1951



**Warranty:** Three Year (Limited)

**Performance Data:**

- Pressure: 20 - 125 psi
- Temperature: 40 °F - 140 °F
- Flow Rate: 0.5 GPM @ 60 psi
- Water Consumption: @10 sec=.08 gal  
@15 sec=.12 gal



ADA Compliant



**Optional Outlets (Series 4 / VR Series 9)**

GPM	Aerated	Non-Aerated (Laminar)	VR Aerated	VR Non-Aerated (VR Laminar)
0.35	N/A	<input type="checkbox"/> B-0199-04-N035	N/A	<input type="checkbox"/> B-0199-09-N035
0.5	N/A	<input type="checkbox"/> B-0199-04-N05	N/A	Standard
1.0	N/A	N/A	N/A	<input type="checkbox"/> B-0199-09-LF10
1.5	<input type="checkbox"/> B-0199-04-WS	N/A	<input type="checkbox"/> B-0199-09-WS	<input type="checkbox"/> B-0199-09-LF15
2.2	<input type="checkbox"/> B-0199-04	<input type="checkbox"/> B-0199-25	<input type="checkbox"/> B-0199-09	<input type="checkbox"/> B-0199-27

