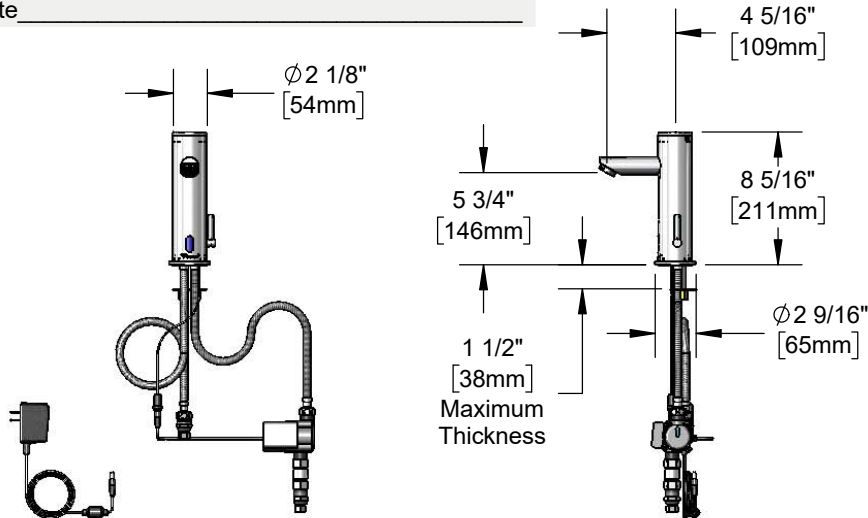




Architect/Engineering Specifications:

Single hole deck mount electronic sensor faucet with polished chrome plated brass body and integral spout, 2.2 GPM vandal resistant aerator, above deck electronic AC/DC control module with internal flow control setting switches, above deck temperature mixing handle, hydro-generator power supply, 19" flexible stainless steel supply hoses and check valve adapters with 3/8" compression connections. Certified to ASME A112.18.1/CSA B125.1, NSF 61-Section 9, NSF 372 and UL 1951. Meets ADA ANSI/ICC A117.1 requirements.

Job Name _____
Model Specified _____ Quantity _____
Variations Specified _____
Date _____



Features & Benefits:

- Single hole deck mount faucet with polished chrome plated brass body and integral spout
• 2.2 GPM vandal resistant aerator, Series 9 (B-0199-09)
• Above deck electronic module w/ internal flow control switches for adjusting auto time out & shut off delay settings
• Optional auto flush feature flows water for 30 seconds after every 12 inactive hours
• Hydro-generator power supply
• Plug in AC transformer or (4) AA battery (DC) power options
• Above deck temperature mixing handle
• 19" flexible stainless steel supply hoses with filter washers
• Check valve adapters with 3/8" compression connections
• Low battery LED indicator light
• Material: Polished chrome plated brass body & spout

Product Compliance:

- ASME A112.18.1 / CSA B125.1
• NSF 61 - Section 9
• NSF 372 (Low Lead Content)
• ANSI A117.1 (ADA)
• UL 1951



Warranty: Three Year (Limited)

Performance Data:

- Pressure: 20 - 125 psi
• Temperature: 40°F - 140°F
• Flow Rate: 2.2 GPM @ 60 psi
• Water Consumption: @10 sec=.37 gal @15 sec=.55 gal



ADA Compliant



Optional Outlets (Series 4 / VR Series 9)

Table with 6 columns: GPM, Aerated, Non-Aerated (Laminar), VR Aerated, VR Non-Aerated (VR Laminar), and Optional Deck Plates. It lists various model numbers and deck plate options for different flow rates.

