



Electronic Faucets
EC-3103-HG

TAG:

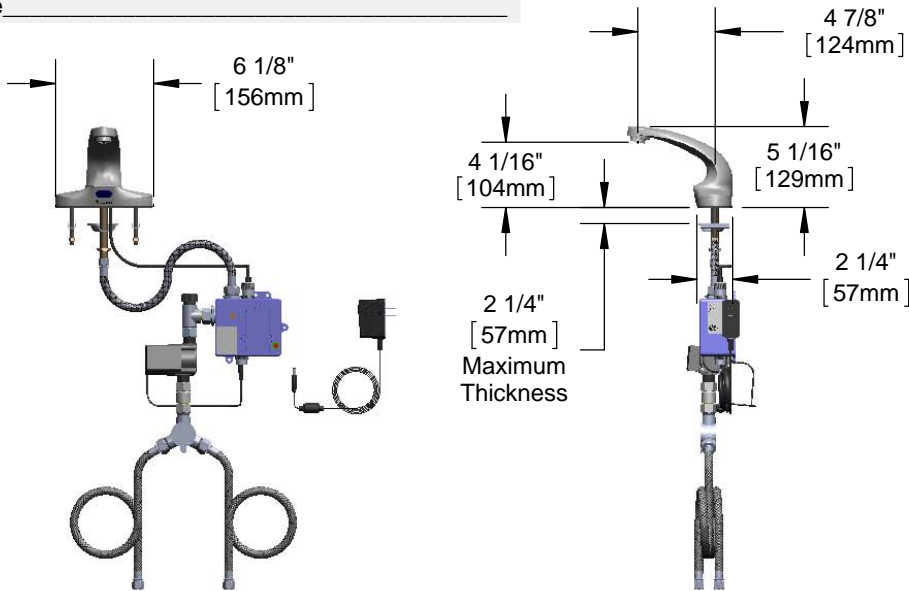


ChekPoint™ Electronic Sensor Faucet

Architect/Engineering Specifications:

4" deck mount electronic sensor faucet with polished chrome plated brass body with integral spout, 2.2 GPM vandal resistant aerator, AC/DC control module with internal flow control setting switches, temperature control mixing valve with check valves, hydro-generator power supply and 18" flexible stainless steel supply hoses with 3/8" compression connections. Certified to ASME A112.18.1/CSA B125.1, NSF 61-Section 9, NSF 372 and UL 1951. Meets ADA ANSI/ICC A117.1 requirements.

Job Name _____
 Model Specified _____ Quantity _____
 Variations Specified _____
 Date _____



Features & Benefits:

- 4" deck mount faucet w/ polished chrome plated brass body with integral spout
- 2.2 GPM vandal resistant aerator, Series 8 (B-0199-08)
- Water resistant control module w/ internal flow control switches for adjusting auto time out & shut off delay settings
- Optional auto flush feature flows water for 30 seconds after every 12 inactive hours
- Hydro-generator power supply
- Plug in AC transformer or (4) AA battery (DC) power options
- Mechanical temperature mixing valve with check valves
- 18" flexible stainless steel supply hoses with 3/8" compression connections
- Low battery LED indicator light
- Material: Polished chrome plated brass body

Product Compliance:

- ASME A112.18.1 / CSA B125.1
- NSF 61 - Section 9
- NSF 372 (Low Lead Content)
- ANSI A117.1 (ADA)
- UL 1951

Warranty: Three Year (Limited)

Performance Data:

- Pressure: 20 - 125 psi
- Temperature: 40°F - 140°F
- Flow Rate: 2.2 GPM @ 60 psi
- Water Consumption: @ 10 sec = .37 gal
@ 15 sec = .55 gal



ADA Compliant



Optional Outlets (Series 3 / VR Series 8)

| GPM | Aerated | Non-Aerated (Laminar) | VR Aerated | VR Non-Aerated (VR Laminar) |
|------|---------------------------------------|---|---------------------------------------|--|
| 0.35 | N/A | <input type="checkbox"/> B-0199-03-N035 | N/A | <input type="checkbox"/> B-0199-08-N035 |
| 0.5 | N/A | <input type="checkbox"/> B-0199-03-N05 | N/A | <input type="checkbox"/> B-0199-08-N05 |
| 1.0 | N/A | N/A | N/A | <input type="checkbox"/> B-0199-08-LF-10 |
| 1.5 | <input type="checkbox"/> B-0199-03-WS | N/A | <input type="checkbox"/> B-0199-08-WS | N/A |
| 2.2 | <input type="checkbox"/> B-0199-03 | <input type="checkbox"/> B-0199-26 | Standard | <input type="checkbox"/> B-0199-28 |



T&S BRASS AND BRONZE WORKS, INC.



• 2 Saddleback Cove • Travelers Rest, SC 29690
 Ph 800-476-4103 • Fax 864-834-3518
 • Simi Valley, CA • Ph 800-423-0150 • www.tsbrass.com

Date: 08/26/16