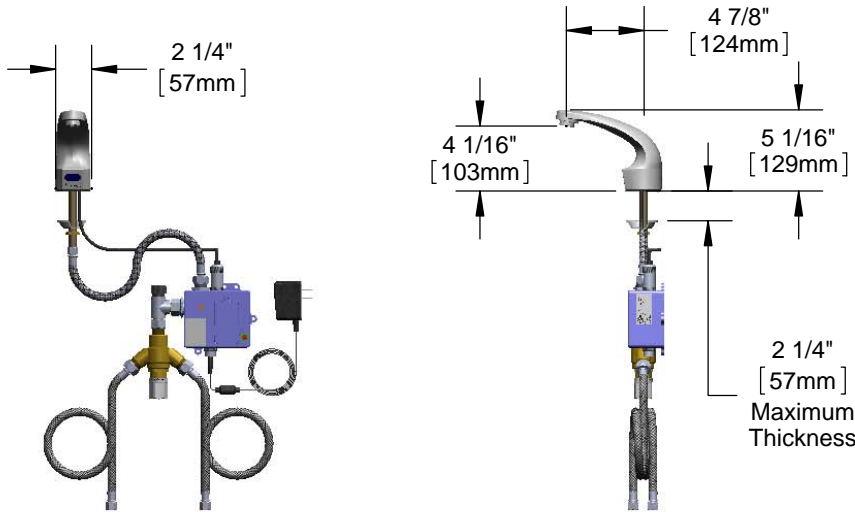




**Architect/Engineering Specifications:**

Single hole deck mount electronic sensor faucet with polished chrome plated brass body with integral spout, 0.5 GPM vandal resistant non-aerated spray device, AC/DC control module with internal flow control setting switches, temperature control mixing valve with check valves and 18" flexible stainless steel supply hoses with 3/8" compression connections. Certified to ASME A112.18.1/CSA B125.1, NSF 61-Section 9, NSF 372, UL 1951 and ASSE 1070. Meets ADA ANSI/ICC A117.1 requirements.

Job Name \_\_\_\_\_  
 Model Specified \_\_\_\_\_ Quantity \_\_\_\_\_  
 Variations Specified \_\_\_\_\_  
 Date \_\_\_\_\_



**Features & Benefits:**

- Single hole deck mount faucet w/ polished chrome plated brass body w/ integral spout
- 0.5 GPM vandal resistant non-aerated spray device, Series 8 (B-0199-08-N05)
- Water resistant control module w/ internal flow control switches for adjusting auto time out & shut off delay settings
- Optional auto flush feature flows water for 30 seconds after every 12 inactive hours
- Plug in AC transformer or (4) AA battery (DC) power options
- Thermostatic mixing valve w/ check valves
- 18" flexible stainless steel supply hoses w/ 3/8" compression connections
- Low battery LED indicator light
- Material: Polished chrome plated brass body & tubular spout

**Product Compliance:**

- ASME A112.18.1 / CSA B125.1
- NSF 61 - Section 9
- NSF 372 (Low Lead Content)
- ANSI A117.1 (ADA)
- UL 1951
- ASSE 1070 (TMV)



ADA Compliant



**Warranty:** Three Year (Limited)

**Performance Data:**

- Pressure: 20 - 125 psi
- Temperature: 40°F - 140°F
- Flow Rate: 0.5 GPM @ 60 psi
- Water Consumption: @ 10 sec = .08 gal  
@ 15 sec = .13 gal

**Optional Outlets (Series 3 / VR Series 8)**

| GPM  | Aerated                               | Non-Aerated (Laminar)                   | VR Aerated                            | VR Non-Aerated (VR Laminar)             |
|------|---------------------------------------|---|---------------------------------------|---|
| 0.35 | N/A                                   | <input type="checkbox"/> B-0199-03-N035 | N/A                                   | <input type="checkbox"/> B-0199-08-N035 |
| 0.5  | N/A                                   | <input type="checkbox"/> B-0199-03-N05  | N/A                                   | Standard                                |
| 1.0  | N/A                                   | N/A                                     | N/A                                   | <input type="checkbox"/> B-0199-08-LF10 |
| 1.5  | <input type="checkbox"/> B-0199-03-WS | N/A                                     | <input type="checkbox"/> B-0199-08-WS | <input type="checkbox"/> B-0199-08-LF15 |
| 2.2  | <input type="checkbox"/> B-0199-03    | <input type="checkbox"/> B-0199-26      | <input type="checkbox"/> B-0199-08    | <input type="checkbox"/> B-0199-28      |

