



**Electronic Faucets**  
**EC-3101-LN**

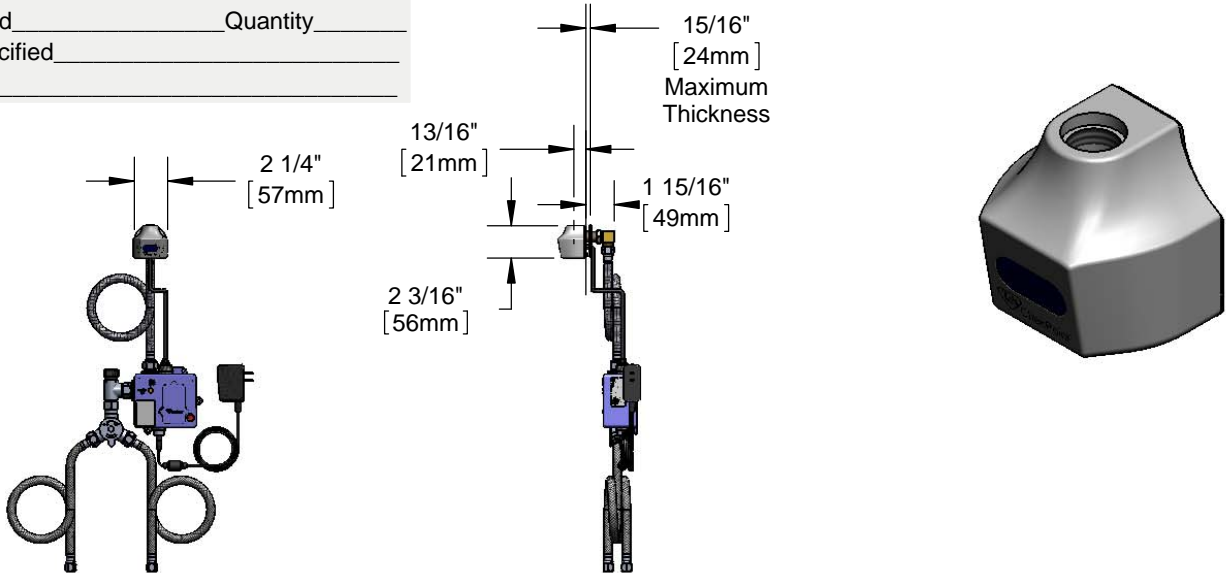
TAG:

**ChekPoint™** *Electronic Sensor Faucet*

**Architect/Engineering Specifications:**

Single hole wall mount electronic sensor faucet with polished chrome plated brass body, 3/8" NPT female outlet (less nozzle), AC/DC control module with internal flow control setting switches, temperature control mixing valve with check valves and 18" flexible stainless steel supply hoses with 3/8" compression connections. Certified to ASME A112.18.1/CSA B125.1, NSF 61-Section 9, NSF 372 and UL 1951. Meets ADA ANSI/ICC A117.1 requirements.

Job Name \_\_\_\_\_  
 Model Specified \_\_\_\_\_ Quantity \_\_\_\_\_  
 Variations Specified \_\_\_\_\_  
 Date \_\_\_\_\_



**Features & Benefits:**

- Single hole wall mount faucet w/ polished chrome plated brass body
- Water resistant control module w/ internal flow control switches for adjusting auto time out & shut off delay settings
- Optional auto flush feature flows water for 30 seconds after every 12 inactive hours
- Plug in AC transformer or (4) AA battery (DC) power options
- Mechanical temperature mixing valve w/ check valves
- Two flexible stainless steel supply hoses w/ 3/8" compression connections
- Low battery LED indicator light
- Material: Polished chrome plated brass body and tubular spout

**Product Compliance:**

- ASME A112.18.1 / CSA B125.1
- NSF 61 - Section 9
- NSF 372 (Low Lead Content)
- ANSI A117.1 (ADA)
- UL 1951

**Warranty:** Three Year (Limited)

**Performance Data:**

- Pressure: 20 - 125 psi
- Temperature: 40°F - 140°F
- Flow Rate: 3.29 GPM @ 60 psi
- Water Consumption: @ 10 sec = .55 gal  
@ 15 sec = .82 gal

(Outlet Device &/or Final Configuration May Reduce Flow Rate)



**ADA Compliant**



**Optional Outlets (Series 2 / VR Series 7)**

**T&S Rigid Goosenecks (D x K)**

- 119X 2 5/8" x 5 1/4" Rigid Gooseneck
- 120X 5 1/2" x 5 1/4" Rigid Gooseneck
- 122X 5 1/2" x 6 1/2" Rigid Gooseneck
- 123X 5 1/2" x 7 1/2" Rigid Gooseneck
- 129X 8 1/2" x 5 7/16" Rigid Gooseneck
- 165X 4 1/16" x 5 13/16" Rigid Gooseneck

GPM	Aerated	Non-Aerated (Laminar)	VR Aerated
0.35	N/A	<input type="checkbox"/> B-0199-02-N035	N/A
0.5	N/A	<input type="checkbox"/> B-0199-02-N05	N/A
1.0	<input type="checkbox"/> B-0199-02-F10	N/A	<input type="checkbox"/> B-0199-07-F10
1.5	<input type="checkbox"/> B-0199-02-WS	N/A	<input type="checkbox"/> B-0199-07-WS
2.2	<input type="checkbox"/> B-0199-02	N/A	<input type="checkbox"/> B-0199-07



**T&S BRASS AND BRONZE WORKS, INC.**



• 2 Saddleback Cove • Travelers Rest, SC 29690  
 Ph 800-476-4103 • Fax 864-834-3518  
 • Simi Valley, CA • Ph 800-423-0150 • www.tsbrass.com

Date: 08/26/16