



**Electronic Faucets**  
**EC-3100-5XP15T4**

TAG:

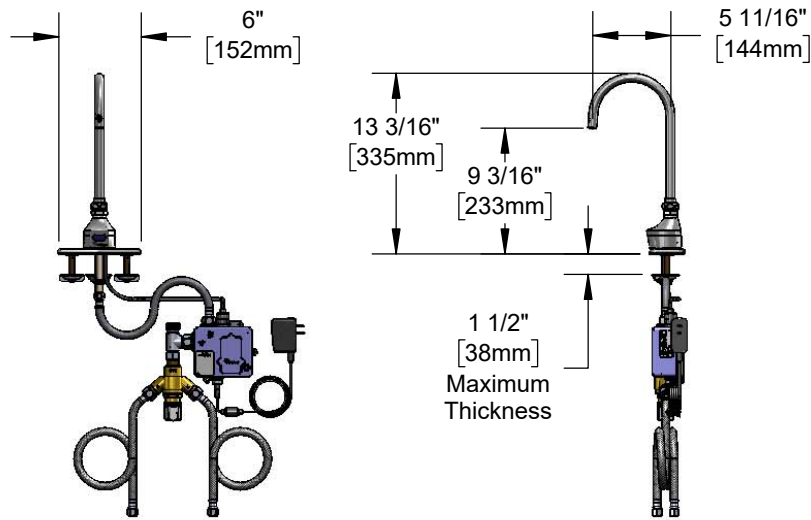


**ChekPoint™** *Electronic Sensor Faucet*

**Architect/Engineering Specifications:**

Single hole deck mount electronic sensor faucet with polished chrome plated brass body and 1.4 GPM flow control, 4" c/c deck plate, 5 11/16" plain end swivel gooseneck, AC/DC control module with internal flow control setting switches, thermostatic temperature mixing valve with integral check valves and 18" flexible stainless steel supply hoses with 3/8" compression connections. Certified to ASME A112.18.1/CSA B125.1, NSF 61-Section 9, NSF 372, UL 1951 and ASSE 1070. Meets ADA ANSI/ICC A117.1 requirements.

Job Name \_\_\_\_\_  
 Model Specified \_\_\_\_\_ Quantity \_\_\_\_\_  
 Variations Specified \_\_\_\_\_  
 Date \_\_\_\_\_



**Features & Benefits:**

- Single hole deck mount w/ polished chrome plated brass body
- 1.4 GPM flow control
- 5 11/16" swivel gooseneck w/ plain end
- 4" c/c deck plate
- Water resistant control module w/ internal flow control switches for adjusting auto time out & shut off delay settings
- Optional auto flush feature flows water for 30 seconds after every 12 inactive hours
- Plug in AC transformer or (4) AA battery (DC) power options
- Thermostatic temperature mixing valve w/ integral check valves
- 18" flexible stainless steel supply hoses w/ 3/8" compression connections
- Low battery LED indicator light
- Material: Polished chrome plated brass body, deck plate & tubular spout

**Product Compliance:**

- ASME A112.18.1 / CSA B125.1
- NSF 61 - Section 9
- NSF 372 (Low Lead Content)
- ANSI A117.1 (ADA)
- UL 1951
- ASSE 1070 (TMV)

**Warranty:** Three Year (Limited)

**Performance Data:**

- Pressure: 20 - 125 psi
- Temperature: 40 °F - 140 °F
- Flow Rate: 1.4 GPM @ 60 psi
- Water Consumption: @ 10 sec = .23 gal  
@ 15 sec = .35 gal

**Optional Deck Plates**

- 4" Chrome Plated Brass Deck Plate (Standard)
- 8" Chrome Plated Brass Deck Plate



ADA Compliant



**T&S BRASS AND BRONZE WORKS, INC.**



• 2 Saddleback Cove • Travelers Rest, SC 29690  
 Ph 800-476-4103 • Fax 864-834-3518  
 • Simi Valley, CA • Ph 800-423-0150 • www.tsbrass.com

Date: 12/04/17