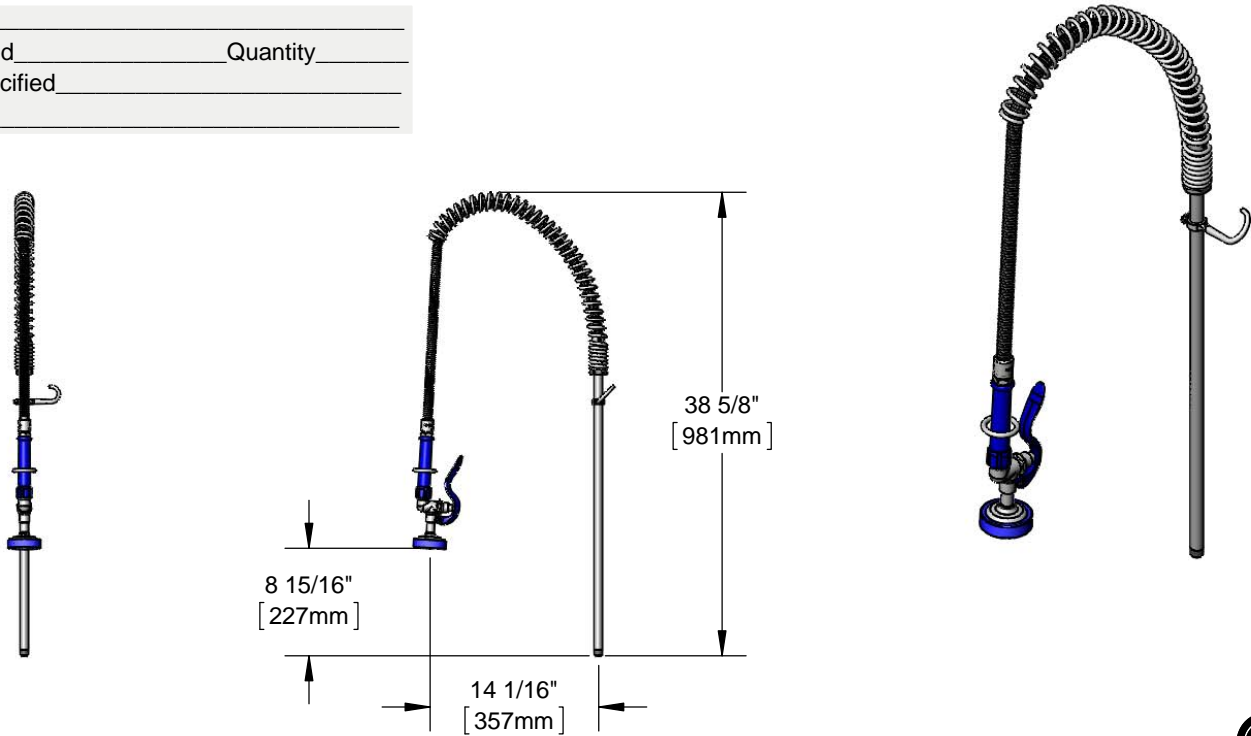




Architect/Engineering Specifications:

Polished chrome plated brass 3/8" NPT x 24" riser, 44" flexible stainless steel hose with heat resistant handle and high flow spray valve (blue) Certified to ASME A112.18.1/CSA B125.1, NSF 61-Section 9 and NSF 372.

Job Name _____
 Model Specified _____ Quantity _____
 Variations Specified _____
 Date _____



Features & Benefits:

- 3/8" NPT x 24" riser
- 44" flexible stainless steel hose w/ heat resistant blue handle and hold down ring
- 4.10 GPM high flow spray valve
- Material: Polished chrome plated brass

Product Compliance:

- ASME A112.18.1 / CSA B125.1
- NSF 61 - Section 9
- NSF 372 (Low Lead Content)
- EPA 2005 Non-Compliant (PRSV)
- Product Not Designed/Intended for Commercial Warewashing in North America

Warranty: One Year (Limited)

Performance Data:

- Pressure: 20 - 125 psi
- Temperature: 40°F - 140°F
- Flow Rate: 4.10 GPM @ 60 psi

