



Spray Valve Assemblies

EB-0107-JSW-40H

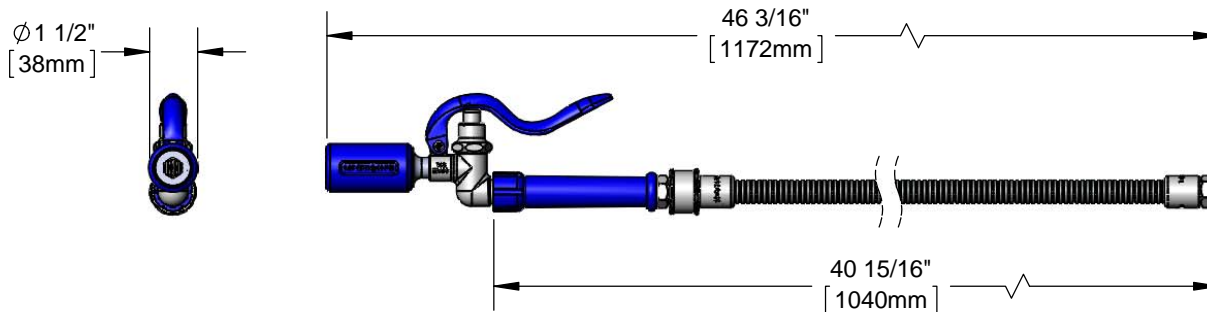
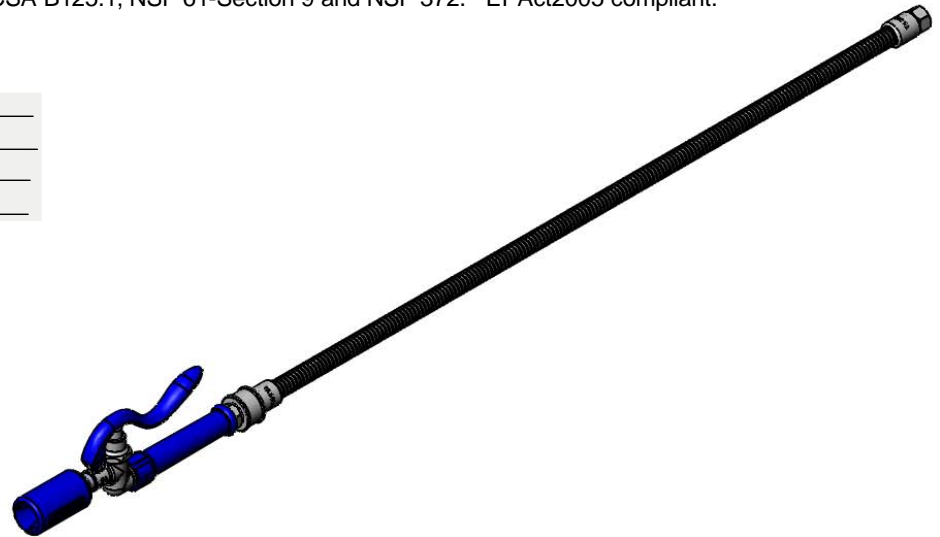
TAG:

Spray Valve with Hose

Architect/Engineering Specifications:

1.07 GPM low flow spray valve, polished chrome plated pre-rinse swivel, 40" flexible stainless steel hose, heat resistant handle and 1/2" NPT male inlet. Certified to ASME A112.18.1/CSA B125.1, NSF 61-Section 9 and NSF 372. EPAAct2005 compliant.

Job Name _____
 Model Specified _____ Quantity _____
 Variations Specified _____
 Date _____



Features & Benefits:

- Designed for heavy-duty use in industrial kitchens
- 1.07 GPM spray valve
- Pre-rinse swivel
- 40" flexible stainless steel hose w/ blue grip handle and hold down ring
- 3/4-14 NPT male inlet fitting
- Fan jet with knife action spray
- Material: Polished chrome plated brass body, chrome plated swivel and stainless steel hose

Product Compliance:

- ASME A112.18.1 / CSA B125.1
- NSF 61 - Section 9
- NSF 372 (Low Lead Content)
- EPAAct 2005 (PRSV)
- EPA WaterSense (PRSV)



Warranty: One Year (Limited)

Performance Data:

- Pressure: 20 - 125 psi
- Temperature: 40°F - 140°F
- Flow Rate: 1.07 GPM @ 60 psi



T&S BRASS AND BRONZE WORKS, INC.



• 2 Saddleback Cove • Travelers Rest, SC 29690
 Ph 800-476-4103 • Fax 864-834-3518
 • Simi Valley, CA • Ph 800-423-0150 • www.tsbrass.com

Date: 04/12/16