



**Spray Valves**  
**EB-0107-J-SWV**

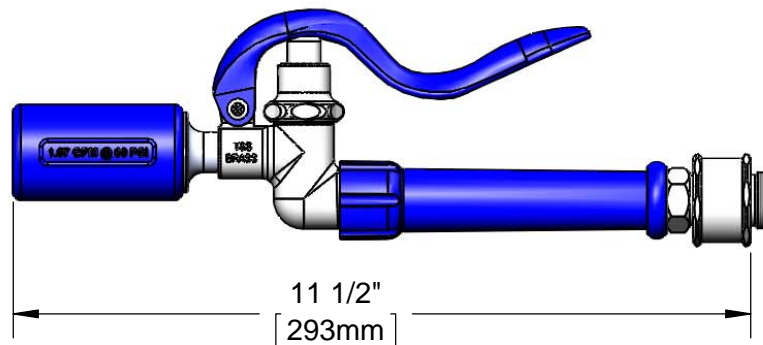
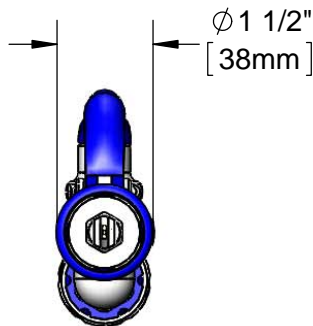
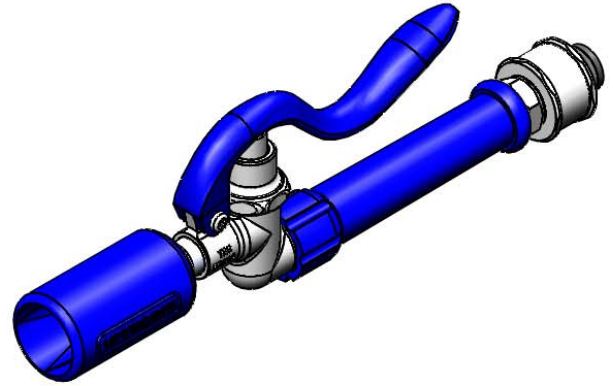
TAG:

*Spray Valve*

**Architect/Engineering Specifications:**

1.07 GPM spray valve, polished chrome plated brass body with pre-rinse swivel, blue rubber bumper and 3/4-14 UN male inlet. Certified to ASME A112.18.1/CSA B125.1, NSF 61-Section 9 and NSF 372. EPAAct2005 compliant.

Job Name \_\_\_\_\_  
 Model Specified \_\_\_\_\_ Quantity \_\_\_\_\_  
 Variations Specified \_\_\_\_\_  
 Date \_\_\_\_\_



**Features & Benefits:**

- Designed for heavy-duty use in industrial kitchens
- 1.07 GPM spray valve
- Pre-rinse swivel
- Blue grip handle and hold down ring
- 3/4-14 NPT male inlet fitting
- Fan jet with knife action spray
- Material: Polished chrome plated brass body and chrome plated swivel

**Product Compliance:**

- ASME A112.18.1 / CSA B125.1
- NSF 61 - Section 9
- NSF 372 (Low Lead Content)
- EPAAct 2005 (PRSV)
- EPA WaterSense (PRSV)



**Warranty:** One Year (Limited)

**Performance Data:**

- Pressure: 20 - 125 psi
- Temperature: 40°F - 140°F
- Flow Rate: 1.07 GPM @ 60 psi



**T&S BRASS AND BRONZE WORKS, INC.**



• 2 Saddleback Cove • Travelers Rest, SC 29690  
 Ph 800-476-4103 • Fax 864-834-3518  
 • Simi Valley, CA • Ph 800-423-0150 • www.tsbrass.com

Date: 04/14/16