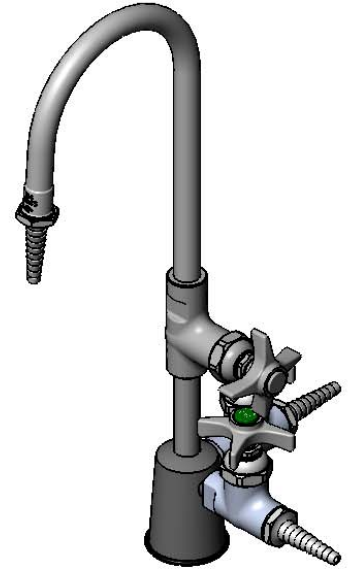
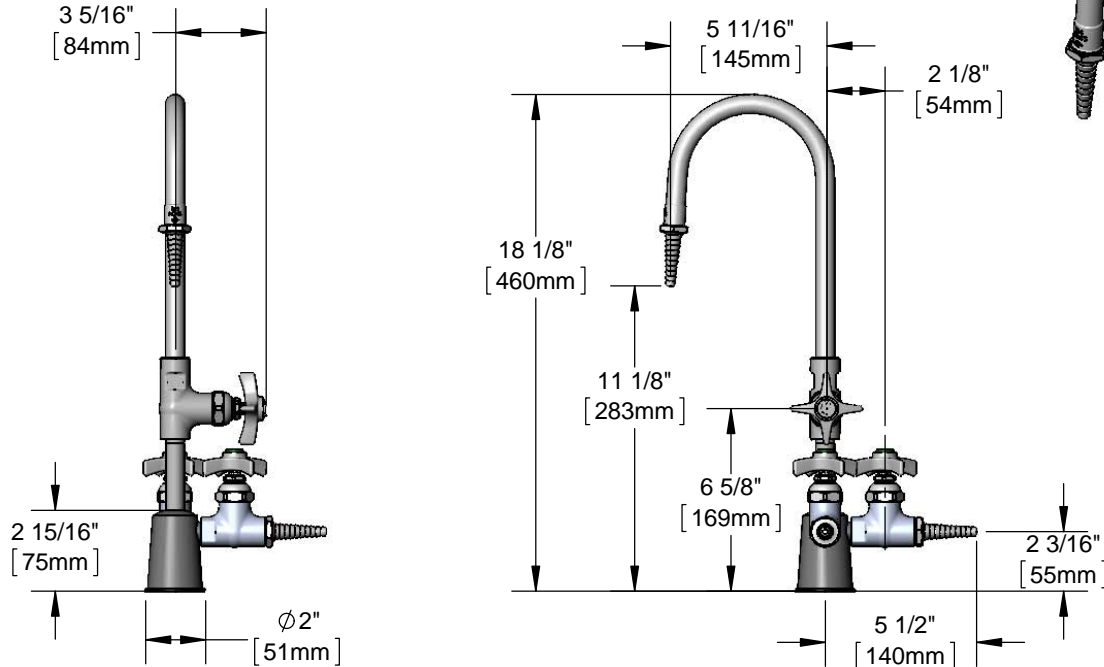




Architect/Engineering Specifications:

Multi-water laboratory turret with with polished chrome plated brass body, 5 5/8" rigid gooseneck with serrated tip outlet, gooseneck control valve with compression cartridge, (2) 180° straight water stops with serrated tips and compression cartridges, 4-arm handles and 1/2" NPT female inlet. ASME A112.18.1 / CSA B125.1, NSF 61 - Section 9 and NSF-372. Meets ADA ANSI/ICC A117.1 requirements.

Job Name _____
 Model Specified _____ Quantity _____
 Variations Specified _____
 Date _____



ADA Compliant



Features & Benefits:

- Multi-water laboratory turret w/ polished chrome plated brass body
- 5 5/8" rigid gooseneck w/ serrated tip outlet
- Gooseneck control valve with Eterna compression cartridge
- (2) 180° straight water stops w/ serrated tips and Eterna compression cartridges
- 4-arm handles w/ green cold water indexes
- 1/2" NPT female inlet
- Material: Polished chrome plated brass body & tubular spout, polished chrome metal handle

Optional Handles

- 4" Wrist Action
- Lever
- 4-Arm (Standard)

Optional Cartridges

- Quarter-Turn Cerama
- Eterna (Standard)
- Quarter-Turn Eterna

Product Compliance:

- ASME A112.18.1 / CSA B125.1
- NSF 61 - Section 9
- NSF 372 (Low Lead Content)
- ASSE 1016 / ASME A112.1016 / CSA B125.16
- ANSI A117.1 (ADA)

Warranty: One Year (Limited)

Performance Data:

- Pressure: 20 - 125 psi
- Temperature: 40°F - 140°F
- Flow Rate:
 - Nozzle: 4.08 GPM @ 60 psi
 - Valve: 4.31 GPM @ 60 psi

