



Architect/Engineering Specifications:

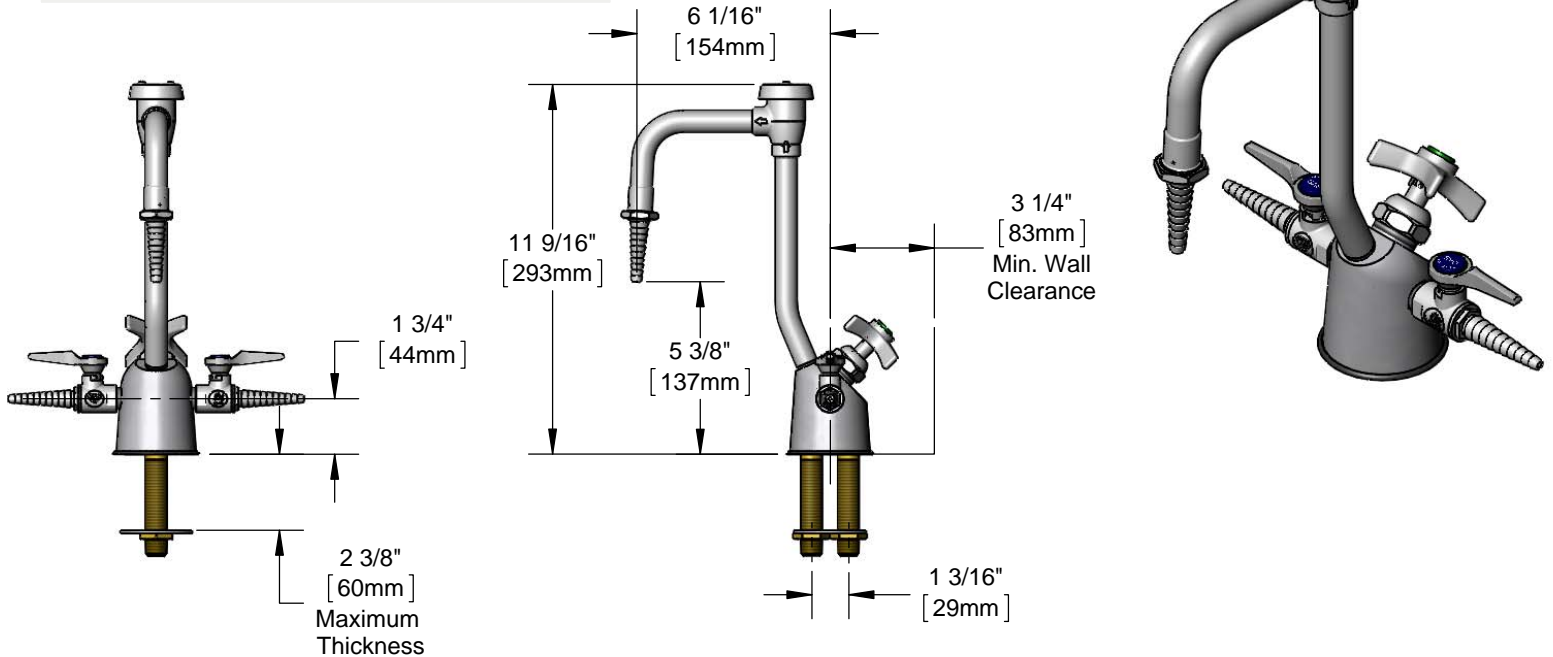
Combination gas and water laboratory turret with polished chrome plated brass body, polished chrome plated rigid nozzle with vacuum breaker and serrated tip outlet, hose cocks, 4-arm handle and 3/8" NPT male gas and water inlets. ASME A112.18.1 / CSA B125.1, NSF 61 - Section 9, NSF-372 and ANSI Z21.15a / CSA 9.1a. Meets ADA ANSI/ICC A117.1 requirements.

Job Name _____

Model Specified _____ Quantity _____

Variations Specified _____

Date _____



Features & Benefits:

- Combination gas and water laboratory turret w/ polished chrome plated brass body
- Polished chrome plated rigid nozzle w/ vacuum breaker and serrated tip outlet
- (2) hose cocks
- 4-arm handle w/ color coded index
- 3/8" NPT male gas and water inlets
- Material: Polished chrome plated brass body & tubular spout, polished chrome metal handles

Product Compliance:

- ASME A112.18.1 / CSA B125.1
- NSF 61 - Section 9
- NSF 372 (Low Lead Content)
- ANSI Z21.15a / CSA 9.1a (Gas Valves)
- ANSI A117.1 (ADA)
- ASSE 1001 (VB)

Warranty: One Year (Limited)

Performance Data:

- Pressure:
 - Water: 20 - 125 psi
 - Gas: 0.5 psi max
- Temperature:
 - Water: 40°F - 140°F
 - Gas: 32°F - 125°F
- Flow Rate:
 - Water: 4.93 GPM @ 60 psi



ADA Compliant

