

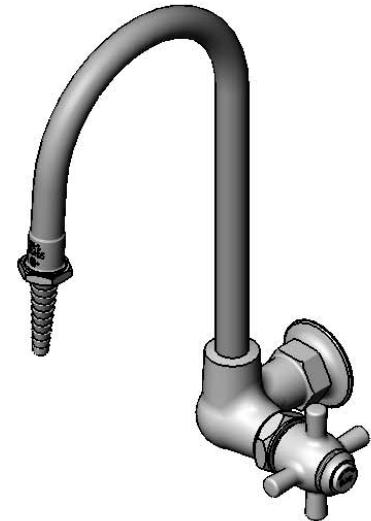
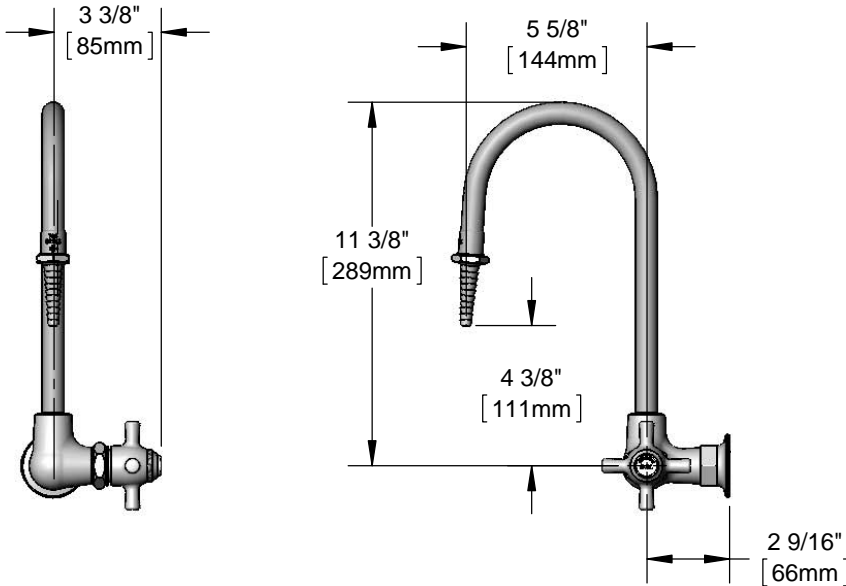


Single Self-Closing Ledge Faucet

Architect/Engineering Specifications:

Single hole single temperature tin-lined wall mount faucet with polished chrome plated brass body, 5 5/8" rigid gooseneck with serrated tip outlet, fast self-closing cartridge, 4-arm handle and 1/2" NPT female inlet. Certified to ASME A112.18.1/CSA B125.1.

Job Name _____
 Model Specified _____ Quantity _____
 Variations Specified _____
 Date _____



Features & Benefits:

- Single hole single temperature tin-lined wall mount faucet w/ polished chrome plated brass body
- 5 5/8" rigid gooseneck
- Serrated tip outlet & washer
- Fast self-closing cartridge
- 4-arm handle w/ white "DW" index
- 1/2" NPT female inlet
- Material: Polished chrome plated brass body & tubular spout and chrome plated metal handles

Product Compliance:

- ASME A112.18.1 / CSA B125.1
- NSF 61 Exempt (Non-Potable)

Warranty: One Year (Limited)

Performance Data:

- Pressure: 20 - 125 psi
- Temperature: 40 °F - 140 °F
- Flow Rate: TBD GPM @ 60 psi

