



Architect/Engineering Specifications:

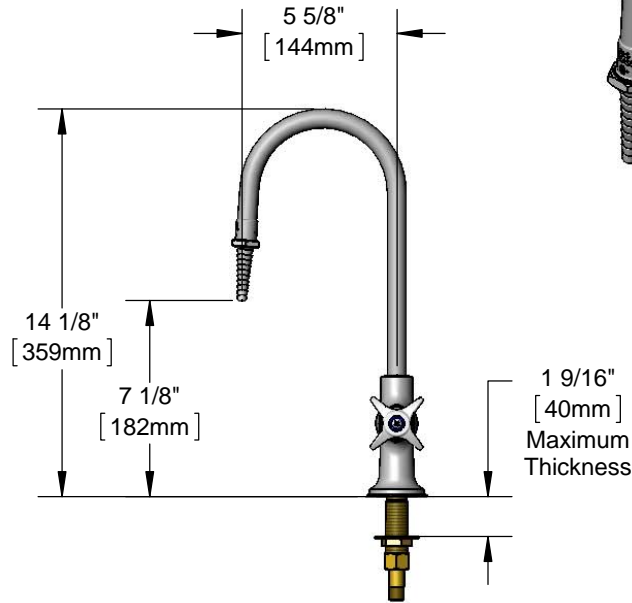
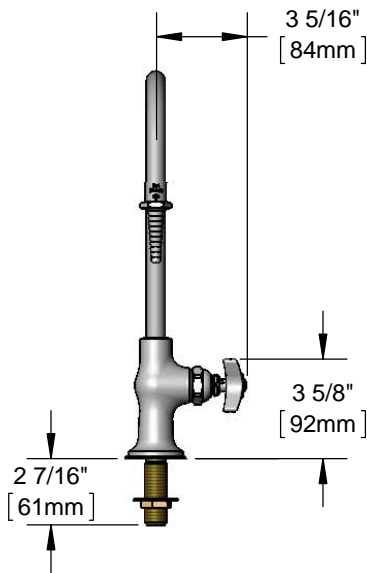
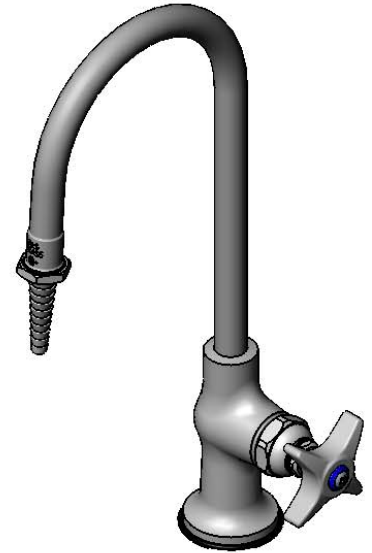
Single hole single temperature tin-lined deck mount faucet with polished chrome plated brass body, 5 5/8" rigid gooseneck with serrated tip outlet, compression cartridge, 4-arm handle and 1/2" NPSM male inlet. Certified to ASME A112.18.1/CSA B125.1, NSF 61 - Section 9 and NSF-372

Job Name \_\_\_\_\_

Model Specified \_\_\_\_\_ Quantity \_\_\_\_\_

Variations Specified \_\_\_\_\_

Date \_\_\_\_\_



Features & Benefits:

- Single hole single temperature tin-lined deck mount faucet w/ polished chrome plated brass body
- 5 5/8" rigid gooseneck
- Serrated tip outlet, Series 2
- Eterna compression cartridge
- 4-arm handle w/ blue index
- 1/2" NPSM male inlet
- Optional tailpiece and nut for 1/4" NPT male connection
- Material: Polished chrome plated brass body & tubular spout and chrome plated metal handle

Product Compliance:

- ASME A112.18.1 / CSA B125.1
- NSF 61 - Section 9
- NSF 372 (Low Lead Content)



Warranty: One Year (Limited)

Performance Data:

- Pressure: 20 - 125 psi
- Temperature: 40°F - 140°F
- Flow Rate: 4.32 GPM @ 60 psi

